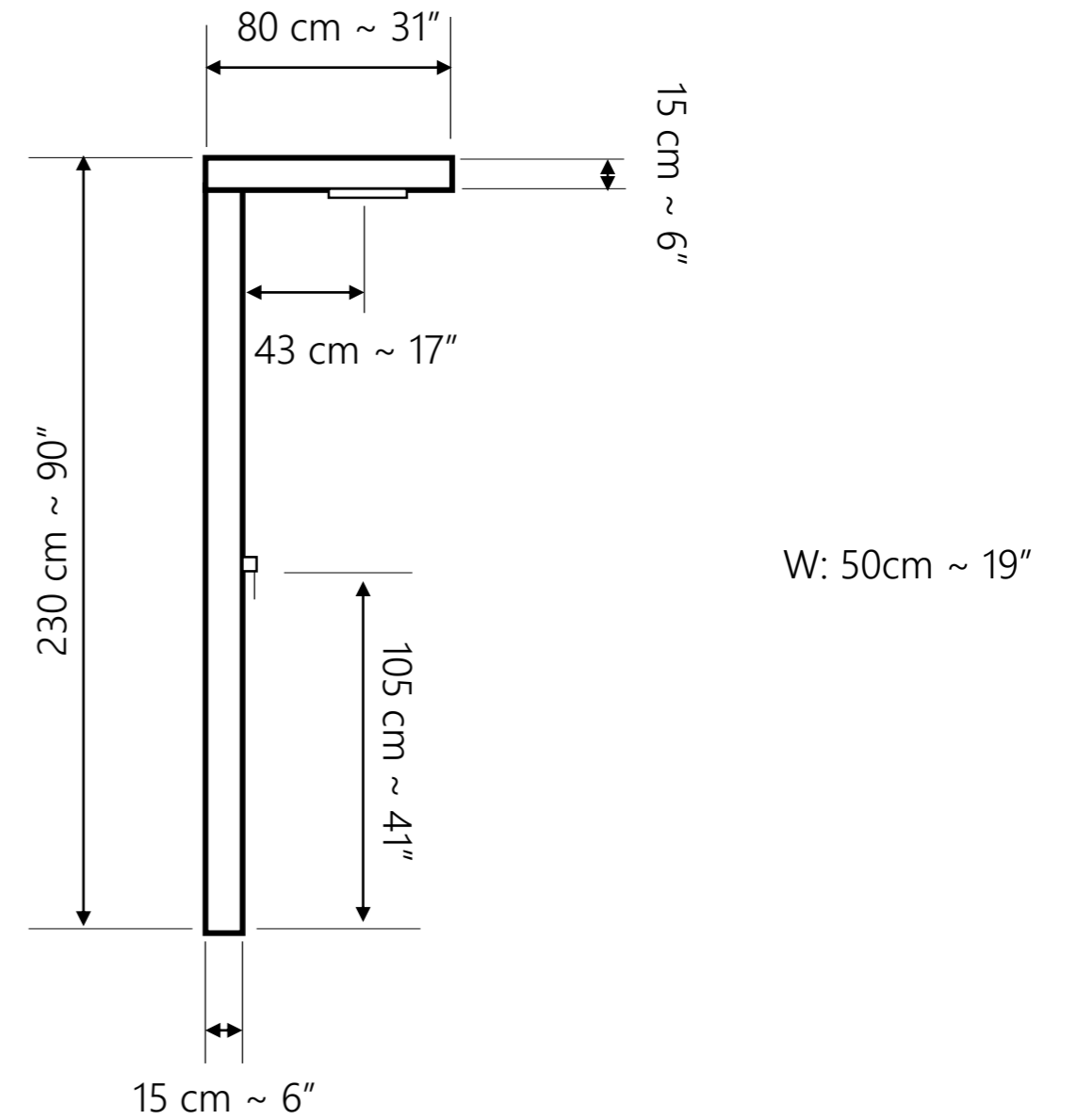
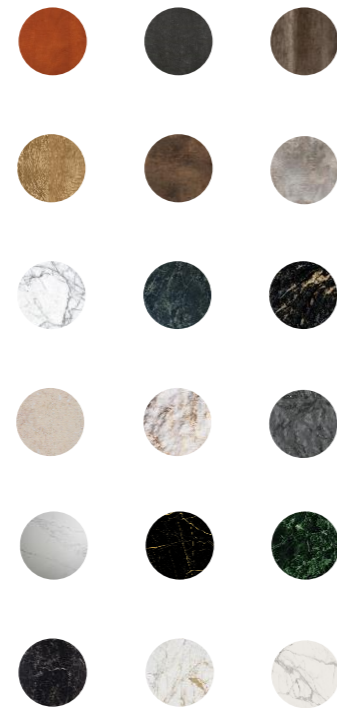


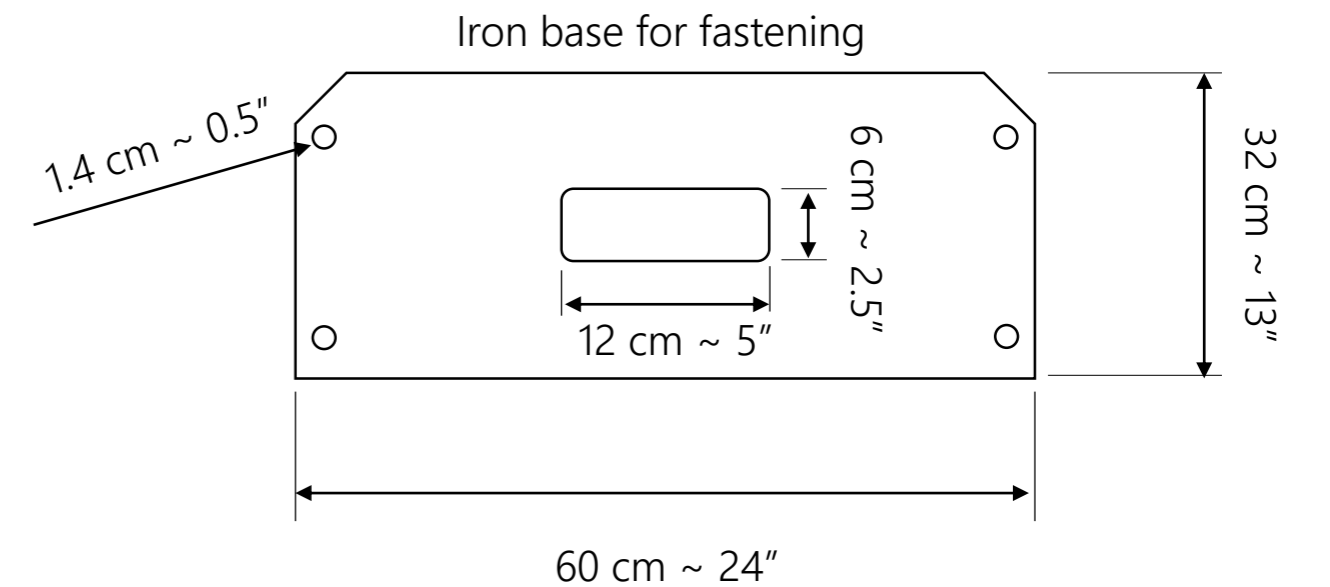
OUTDOOR SHOWER BY INFINITY LUXURY



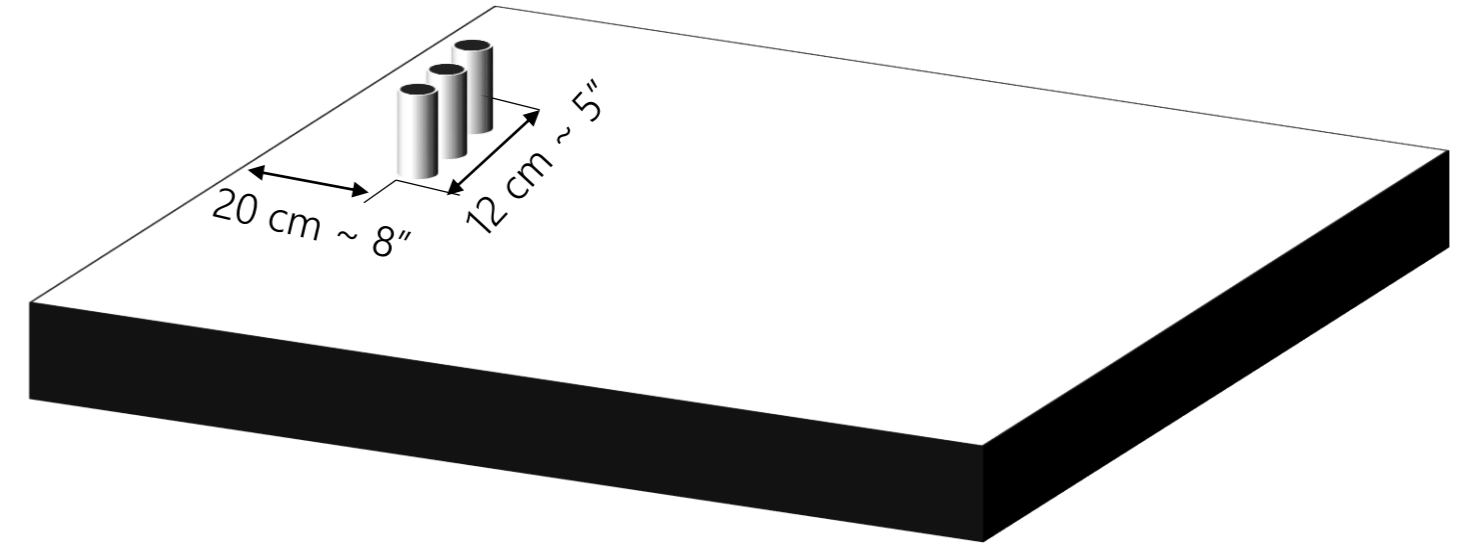
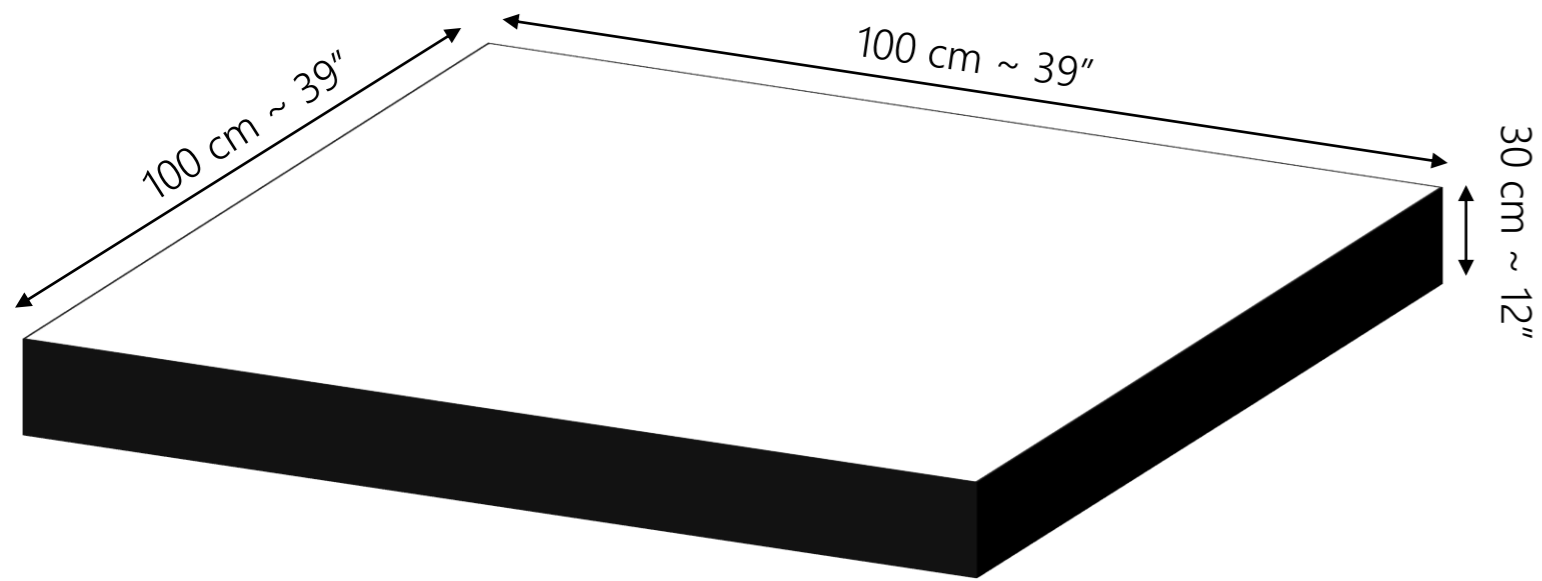
W: 50cm ~ 19"

SPECIFICATIONS

MATERIAL:	HPL, Natural stone, Ceramics by Marazzi
SHOWER HEAD:	ECO TECH shower head 25cm ~ 10" x 25cm ~ 10" (50% water saving) Mariner Rubinetterie
CARTRIDGE:	two-way mixing mechanism (Mariner Rubinetterie)
WEIGHT:	HPL shower – 80kg ~ 176 lbs STONE shower – 300 kg ~ 660 lbs CERAMICS shower – 140 kg ~ 308 lbs
DELIVERY BOX DIMENSIONS:	L 240cm ~ 94" x W 66cm ~ 26" x H 98cm ~ 38"
DELIVERY BOX WEIGHT:	100 kg~ 220 lbs
WARRANTY:	3 years
MAINTENANCE:	Regularly clean with dry cloth



INSTALATTION INSTRUCTIONS BY INFINITY LUXURY



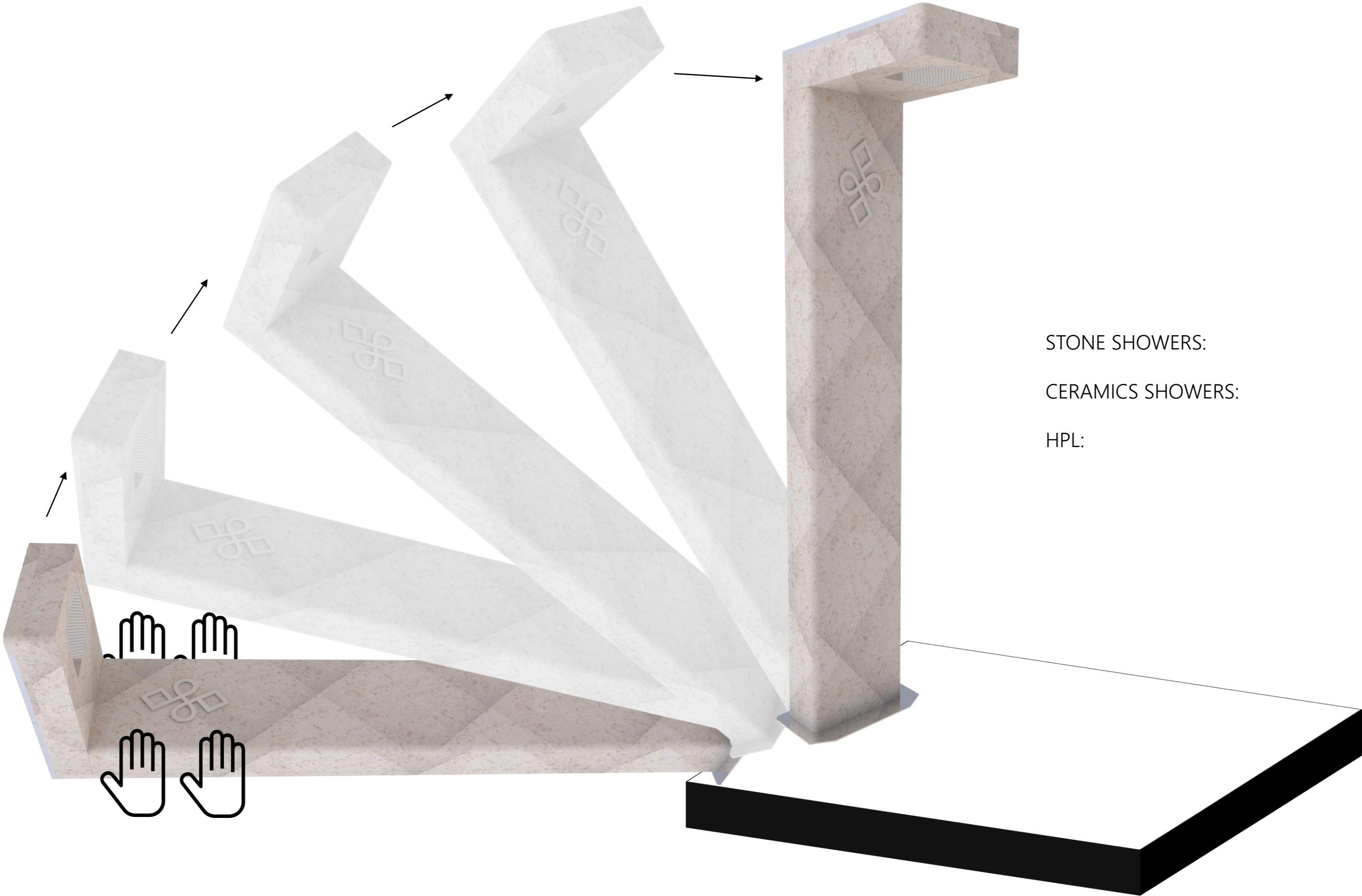
FOUNDATIONS

MATERIAL:	Concrete
ARMATURE:	Iron mesh
ACCURACY:	100% level
WATER DRAIN:	Optional

WATER PIPES AND POWER CORD

CONNECTION:	1/2" male connection
HEIGHT:	Both water connections on 7cm ~ 3"
POWER CORD:	Three-core power cord 2.5 square
LENGHT:	20 cm ~ 8"

LIFTING THE SHOWER BY INFINITY LUXURY



- STONE SHOWERS: 3-4 persons
- CERAMICS SHOWERS: 2-3 persons
- HPL: 1-2 persons