

**ROBOTIC POOL CLEANER
TYPE CYCLONE**

ORIGINAL MANUAL

**AUTOMATISCHER
SCHWIMMBECKENREINIGER
ART CYCLONE**

ORIGINALBETRIEBSANLEITUNG

**NETTOYEUR DE PISCINE
TYPE CYCLONE**

NOTICE ORIGINALE




NORSUP



EN
DE
FR

4	ROBOTIC POOL CLEANER TYPE CYCLONE ORIGINAL MANUAL	4
18	AUTOMATISCHER SCHWIMM- BECKENREINIGER ART CYCLONE ORIGINALBETRIEBSANLEITUNG	20
32	NETTOYEUR DE PISCINE TYPE CYCLONE NOTICE ORIGINALE	36

www.norsup.eu



Laden Sie die App norsup one:
Download the norsup one app:
Téléchargez l'application norsup one:



Google Play Store



Apple Appstore



CONTENTS

1. QUICK START GUIDE	6
2. FLOAT INSTALLATION	6
3. SAFETY	7
4. INTRODUCTION	7
4.1 System Overview	7
4.2 How the Robotic Cleaner Cleans Your Pool	7
4.3 Operating Conditions	8
5. COMPONENTS	8
5.1 Cleaner And The Main Parts	8
5.2 Power and Control Unit	8
6. OPERATION	8
6.1 Before First Use	8
6.2 Placing Cleaner Unit into the Water	9
6.3 Starting the Robotic Cleaner	10
6.4 Cleaning Cycle	10
6.5 Stopping Robotic Cleaner Operation	10
6.6 Pulling Cleaner Unit out of the Water	10
7. MAINTENANCE	11
7.1 Cleaning the Filters	11
7.2 Storing the Robotic Cleaner	11
7.3 Checking Water Outlet Propeller	11
8. ROBOTIC CLEANER PROGRAMMING	12
8.1 Control Panel - Buttons and Indicators	12
8.2 Overlay buttons	14
8.3 Using an External Timer	15
9. TROUBLESHOOTING	15
10. REMOTE CONTROL	17
10.1 Remote Control Overview	17
10.2 Using the Remote Control	17
11. CADDY (OPTIONAL)	17
11.1 Overview	17
11.2 Assembling the Caddy	17
11.3 Loading the Robotic Cleaner on the Caddy	17
12. TROLLY (OPTIONAL)	18
12.1 Overview	18
12.2 Assembling the Trolley	18



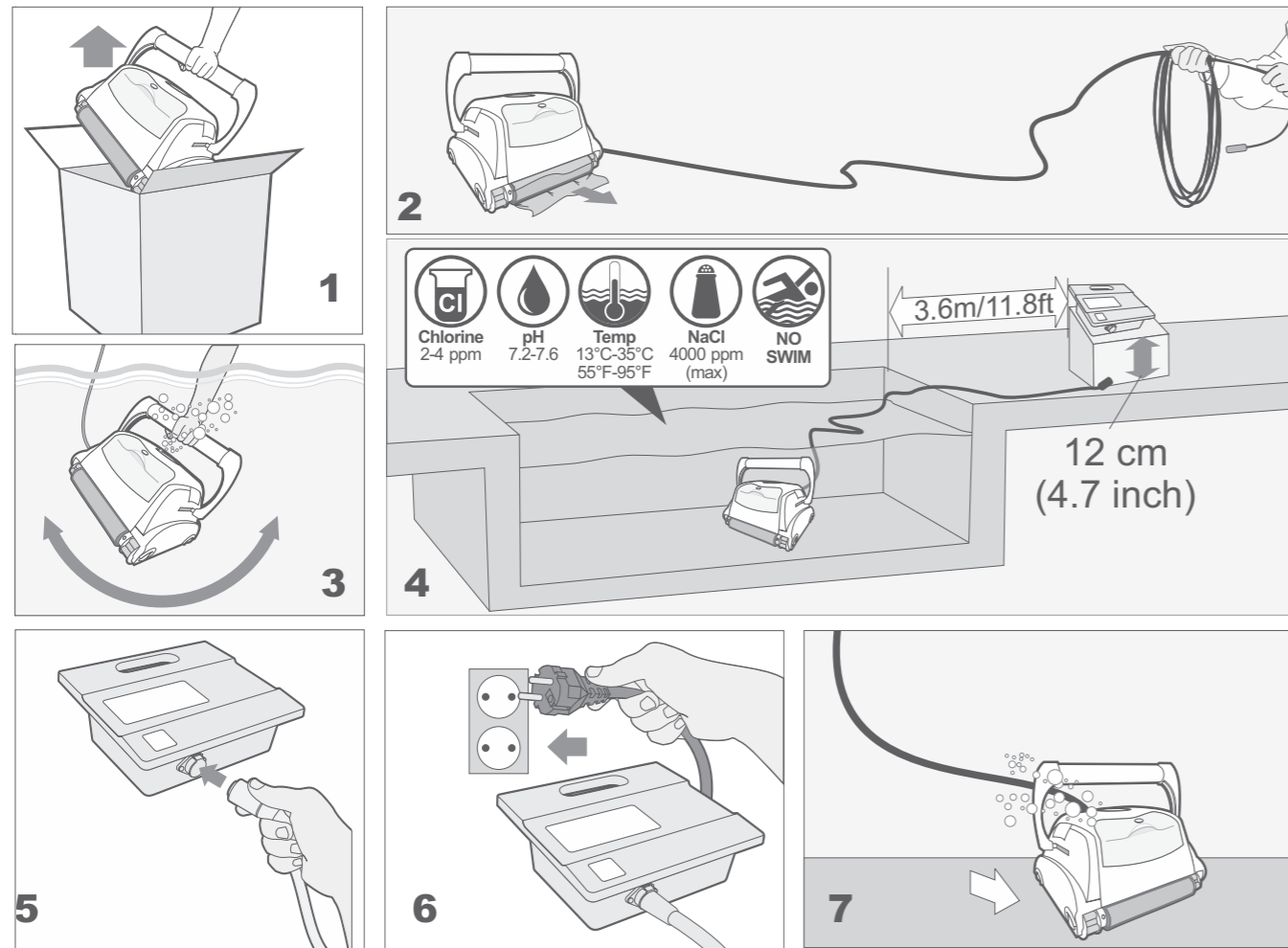
Errors and technical modifications subject to change, reproduction as well as electronic duplication only with our written permission.

© NORSUP

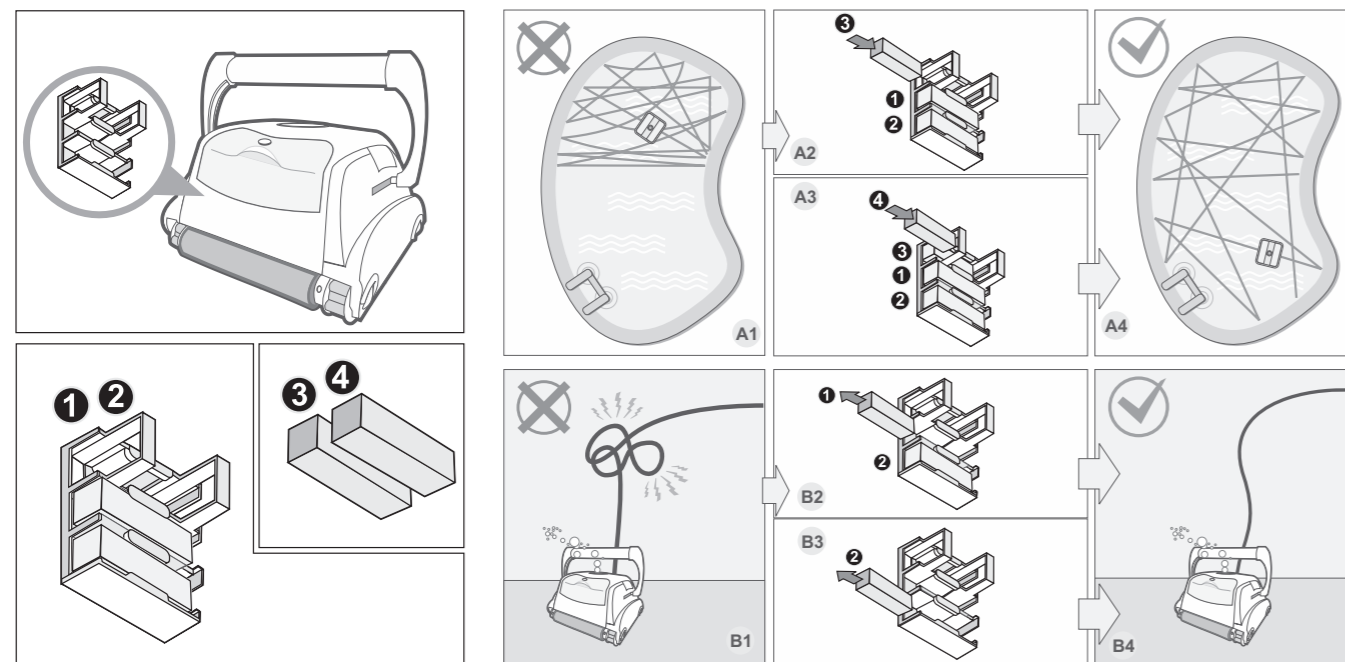
Edition: 11.2020

ROBOTIC POOL CLEANER TYPE CYCLONE

1. QUICK START GUIDE



2. FLOAT INSTALLATION



ROBOTIC POOL CLEANER TYPE CYCLONE

3. SAFETY

IMPORTANT SAFETY INSTRUCTIONS READ AND FOLLOW ALL THE INSTRUCTIONS

CAUTION: Do not plug the power supply into a grounded outlet or do not switch the pool cleaner "ON" if it is not fully immersed in water. Operating the cleaner out of water will cause severe damage immediately and will result in loss of warranty.

Allow the cleaner to remain in the pool for 15 to 20 minutes following the end of its cleaning cycle. This will allow the motors to cool adequately. Do not leave the cleaner in the pool all the time. Always remember to turn the power supply "OFF" and unplug it from the power outlet before removing the cleaner from the pool.

WARNING

The cleaner must not be used when people are in the water. For use with swimming pool only

Safety Note

- The unit must be supplied through a residual current device (RCD) having a rated residual operating current not exceeding 30 mA
- The connection to the branch circuit should be consistent with the local and national wiring rules (electrical code).
- Mishandling of the unit can result in leakage of lubricants.
- If the supply cord is damaged, it must be replaced by the manufacturer's service agent or a qualified and trained person in order to avoid hazards.



This appliance is not intended for use by persons (including children) with reduced physical, sensory or mental capabilities, or lack of experience and knowledge, unless they have been given supervision or instruction concerning use of the appliance by a person responsible for their safety. Children should be supervised to ensure that they do not play with the appliance.

WARNING

A Ground Fault Current Interrupter (GFCI-USA) or a Residual Current Device (RCD-EUROPE) must be installed to protect your electric outlet and prevent any possible electric shock.

SAVE THESE INSTRUCTIONS

Grounding

The power supply must be connected to a grounded 3 conductor socket. The mains power supply must be connected via a GFCI (ground fault circuit interrupter) or RCD (residual current device) having a rated residual operating current not greater than 30mA.

Fuse

The fuse must be changed by an authorized service agent or trained and qualified person only. For continued protection against risk of fire, replace only with the same type and rating of fuse.

Maintenance and safety

The cover should not be removed except by an authorized service agent or trained and qualified person. No internal adjustment or component replacement can be carried out by the user. The power cable must be disconnected before removing the cover. If the power supply cord is damaged, it must be replaced by an authorized service agent or trained and qualified person. Do not operate the supply if the cord is damaged.

Environmental conditions

The power supply is designed to work both indoors and outdoors. However, the unit should not be operated in direct sunlight or be exposed to water. The power supply should not be operated in an ambient temperature in excess of 40°C.

4. INTRODUCTION

4.1 SYSTEM OVERVIEW

The robotic cleaner sweeps the pool floor and walls to collect dirt and debris into its internal filters. This user manual explains how to operate the robotic cleaner, including cleaning, maintenance and storage procedures.

NOTE

This manual reviews several robotic cleaner models. There are some variations in components according to specific model.

4.2 How the Robotic Cleaner Cleans Your Pool

After the robotic cleaner is placed in the pool and activated, it operates according to the program set via the power and control unit. The robotic cleaner moves along the floor and walls of the pool, covering the entire area of the pool floor and walls. When the robotic cleaner has finished its program, it remains inactive on the pool floor.

NOTE

Wall climbing is an optional feature. When the wall climbing feature is enabled, the robotic cleaner climbs the wall at intervals according to its internal program. The robotic cleaner ability to climb over stairs in swimming pool is subject to stair geometry and material.

ROBOTIC POOL CLEANER TYPE CYCLONE

4.3 Operating Conditions

The robotic cleaner is intended for use in swimming pools in the following conditions:

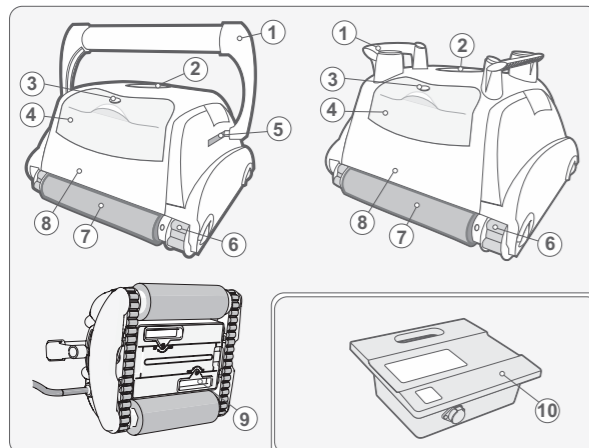
- Temperatures ranging from 13°C-35°C (55°F-95°F), recommended temperature is between 22°C-32°C (72°F-90°F).
- Water pH : 7.2 - 7.6
- Chlorine level: pool is maintained according to the pool manufacturer's instructions. (recommended 2-4 ppm)

NOTE

Failure to maintain the pool according to the recommended operating conditions could prevent the robotic cleaner from functioning properly. Remove the cleaner out of water when performing „Chemical Shock Treatment“ to the pool water.

5. COMPONENTS

5.1. CLEANER AND THE MAIN PARTS



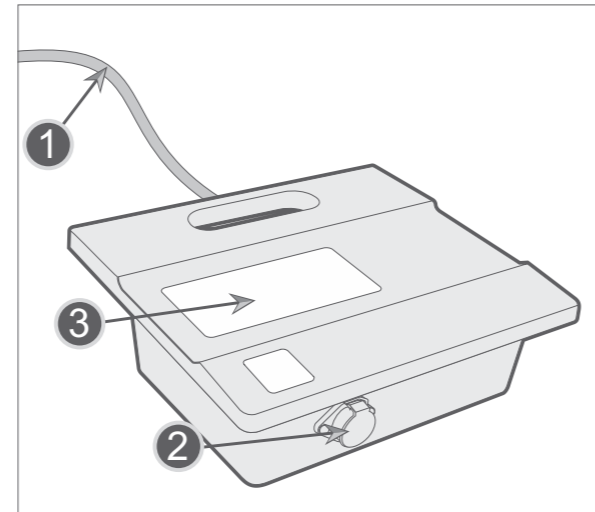
1. Handle
 2. Outlet Top
 3. Filter Lock Release
 4. Filter Top Access
 5. Handle Lock Mechanism
 6. Drive Track
 7. Scrubbing Brush
 8. Unit Body
 9. Water Inlet
 10. Power Supply
- Optional**
11. Remote Control
 12. "Trolley" Cart
 13. "Caddy" Cart
 14. Timer (purchased separately)

5.2. POWER AND CONTROL UNIT

The power and control unit is connected to the robotic cleaner via the floating cable. The unit is powered by AC power (1) and supplies low voltage and commands to the cleaner unit through the outlet socket (2). The unit features a control panel (3) with various controls to operate the robotic cleaner.

Contents of Packing Box

The robotic cleaner is packed in a box containing:



- Robotic cleaner and floating cable
- Power and control unit
- User manual

According to the model purchased, the following accessories may be included in the package:

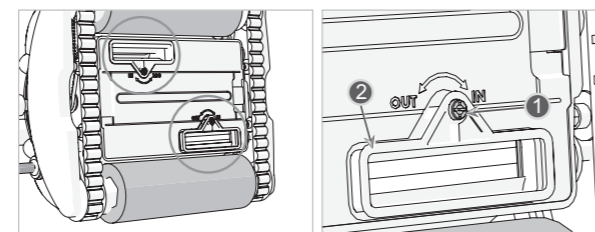
- Remote Control
- Caddy
- Trolley
- Additional Accessories

6. OPERATION

6.1. BEFORE FIRST USE

Adjusting Suction Height: Positioning the suction inlet (2) close to the pool surface increases the suction power and the cleaning quality. Lowering the suction inlet could result in interference with obstacles on the swimming pool floor or walls.

- Use a screw driver to adjust the suction inlet position knob (1).
- IN – pulls the suction inlet away from the pool surface and reduces the suction power.
 - OUT – brings the suction inlet closer to the pool surface and increases the suction power.

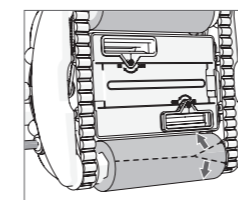
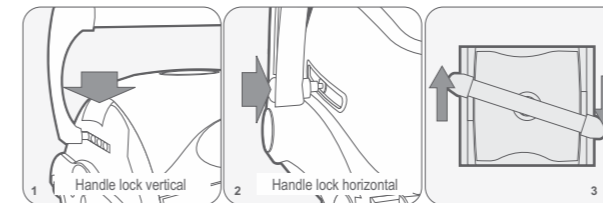


ROBOTIC POOL CLEANER TYPE CYCLONE

Adjusting Floating Handle

On wall climbing models, set the floating handle:

1. Press the lock button (1 or 2 according to the model) to release the handle lock.
2. Place the handle (3) diagonally at maximum position.
3. Repeat steps 1 and 2 on the other side of the cleaner unit.

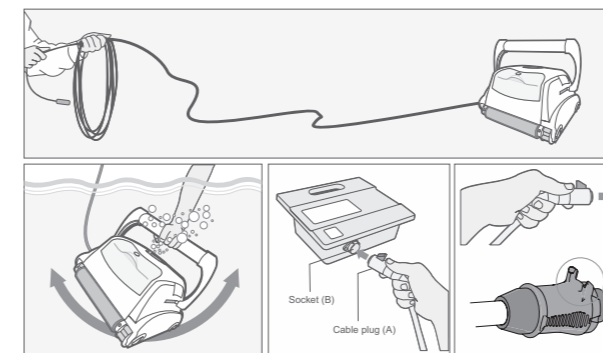
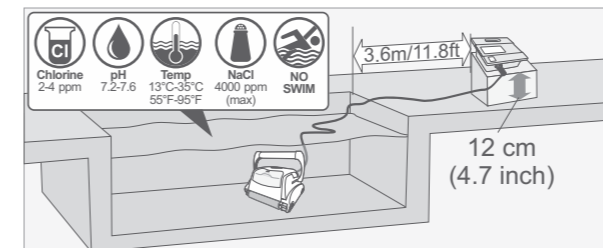


Removing Brush Covers

The robotic cleaner is shipped with a protective cover over the scrubbing brushes. Carefully remove the nylon covers from the scrubbing brushes.

CAUTION

Do not use a sharp tool to remove the cover as it could harm the brushes.



Placing the Power and Control Unit

4. Place the power and control unit at least 3.6 meters /11.8 feet from the pool and at least 12 cm/4 inches above the surface.

CAUTION

The power and control unit must not be exposed to water or to direct sunlight.

5. Release floating cable plastic ties, which are used to secure the cables during shipping, by pressing plastic snap on the tie.

Before placing the cleaner unit in the water

1. Make sure there are no people in the pool.
2. Make sure that the filters are clean.
3. Make sure the pool conditions are met; (see "Operating Conditions").

6.2. PLACING CLEANER UNIT INTO THE WATER

1. Unroll the floating cable. It is recommended to extend a length of cable that is equal to the pool diagonal size plus an additional two meters.
2. Place the cleaner unit in the pool.
3. Let the robotic cleaner sink to the bottom of the pool. Do not start operation before the robotic cleaner is settled on the pool floor.
4. Spread the floating cable across the pool. Make sure that only the required length of cable is spread across the pool. Smooth out coils or twists in the cable. Roll extra cable outside the pool near the power and control unit.
5. Connect the floating cable (A) to the socket (B) located on the power and control unit.

CAUTION

Operating the cleaner out of water causes immediate severe damage and results in loss of warranty.

ROBOTIC POOL CLEANER TYPE CYCLONE

6.3. STARTING THE ROBOTIC CLEANER

Connect the power and control unit to the wall socket (1). The Operation LED is lit (4) and the robotic cleaner starts its cleaning program.

If the power and control unit is already connected to the AC socket, the Operation LED flashes (5) to indicate that the robotic cleaner is in standby mode.

Press the Operation button (6). The Operation LED turns on (6) and the robotic cleaner starts the cleaning program.

NOTE

When the Check Filter LED (3) (optional in some models) is lit, the robotic cleaner filters must be cleaned before placing the cleaner unit in the pool.

6.4. CLEANING CYCLE

During the cleaning cycle, the robotic cleaner:

- Moves across the pool floor picking up dirt and debris.
- Changes direction and rotates automatically according to the selected program.
- Climbs the pool walls every few minutes, as set in its internal program.

NOTE

The robotic cleaner might occasionally stop moving for a few seconds. This is part of normal operation, not a malfunction.

6.5. STOPPING ROBOTIC CLEANER OPERATION

The robotic cleaner moves automatically to STANDBY after every cleaning cycle and the operation LED starts flashing (5).

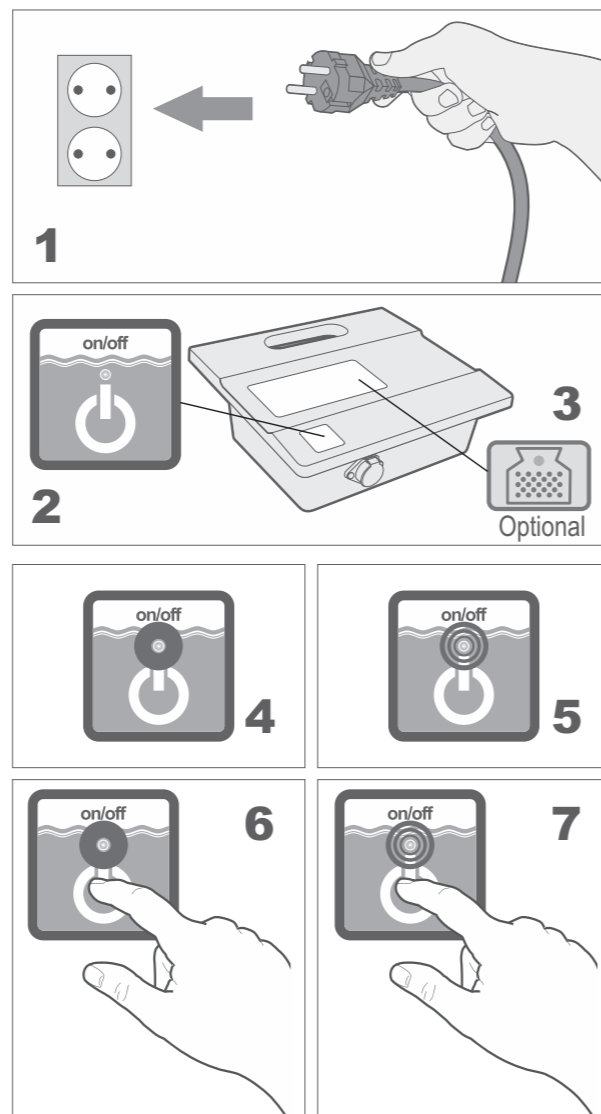
To stop the cleaner operation during a cleaning cycle, press the operation button (7) once. The operation LED starts flashing (7) and the cleaner is in standby mode.

6.6. PULLING CLEANER UNIT OUT OF THE WATER

1. Unplug the floating cable from the power and control unit.
2. Pull up on the floating cable to pull the cleaner unit closer until it is possible to take hold of the handle.
3. Using the handle, lift the cleaner unit out of the pool.

CAUTION

Do not use the floating cable to lift the cleaner unit out of the water.



ROBOTIC POOL CLEANER TYPE CYCLONE

7. MAINTENANCE

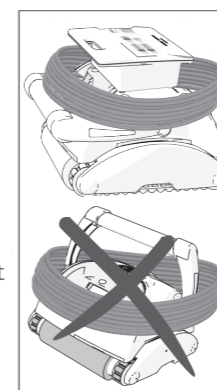
7.1. CLEANING THE FILTERS

- The two filters must be cleaned after each cleaning cycle.
1. Release the filter and pull it out of the cleaner unit. (1), (2)
 2. Pull the filter door against the filter housing to open the filter case. (3), (4)
 3. Spray water on the outer sides of the filter and then spray water towards the inner side of the filter to clean all the dirt and debris. (5)
 4. Verify that the small plastic shutter (2) is in place and not broken, then close the filter. (6)
 5. Insert the filter back into its location until a click is heard to secure the filter in place. (7), (8)

7.2. STORING THE ROBOTIC CLEANER

Follow these instructions to store the robotic cleaner when not in use:

1. Disconnect the power cord from the wall outlet.
2. Disconnect the floating cable from the power and control unit.
3. Spread out the floating cable and release any twists in the cable.
4. Wash the cleaner unit interior space with fresh water and let it dry.
5. Roll the floating cable and place it ON THE CLEANER unit.



CAUTION

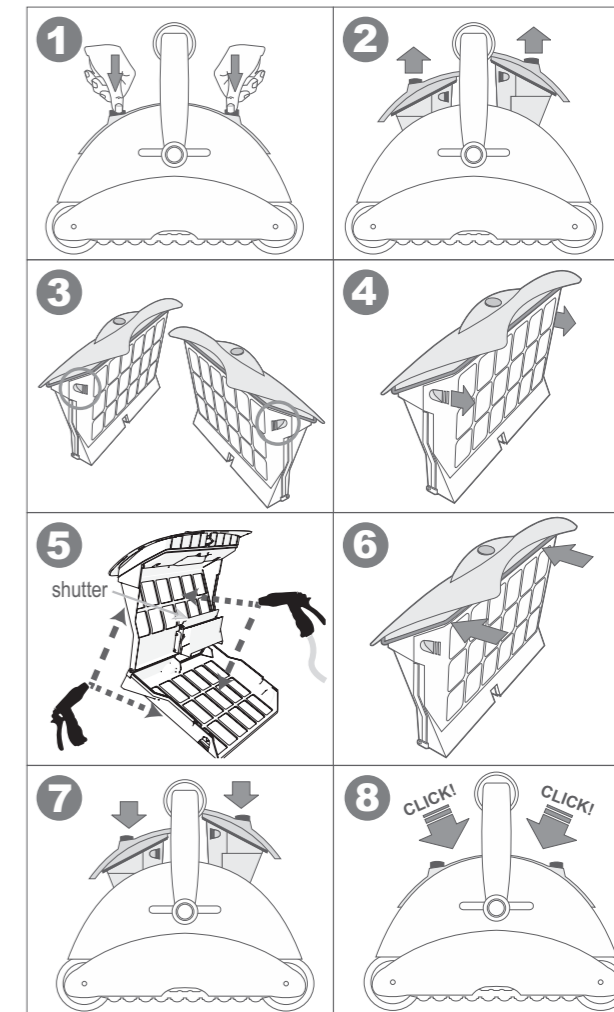
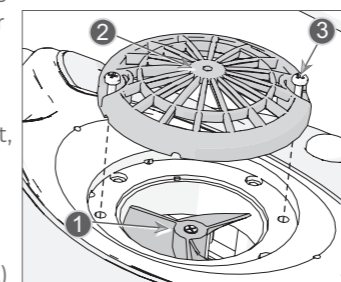
DO NOT ROLL the floating cable ON THE HANDLE of the cleaner unit.

6. Store the robotic cleaner components in a dry, closed location.
7. Verify that the power and control unit is not exposed to water.

7.3. CHECKING WATER OUTLET PROPELLER

It is recommended to periodically clean debris and hair from the propeller of the water outlet:

1. Remove the screws (3) that holds water outlet cover (2).
2. Remove the water outlet cover (2).
3. Clean any hairs, dirt, or debris.
4. Verify that the propeller (1) is not broken.
5. Return the cover (2) and fasten it with the screws (3).



EN

DE

FR

ROBOTIC POOL CLEANER TYPE CYCLONE

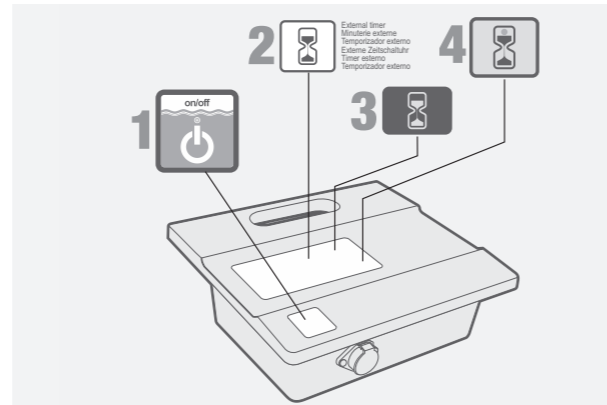
8. ROBOTIC CLEANER PROGRAMMING

This chapter reviews the programming options. Skip this chapter if your model is not programmable or if the robotic cleaner is already programmed.

8.1. CONTROL PANEL - BUTTONS AND INDICATORS

The control panel consists of:

- On/Off power (1) – starts and stops the robotic cleaner operation.
- Function description (2) – describes the function
- Control buttons (3) – dark blue, enables selecting relevant function.
- Status display (4) – indication LED lit to display the selected option or the cleaner state.



Aquacontrol

check filter
chèque filtre
filter überprüfen
controllare il sacchetto filtrante
revise el filtro

cleaning time
temps de nettoyage
reinigungszeit
tempo di pulizia
tiempo de limpieza

2.0H

1.5H

SPS 100

Aquacontrol

- Cleaning program
Mode nettoyage
Programa de limpieza
Reinigungsprogramm
Programma di pulizia
Programa de limpeza
- Internal timer
Minuterie interne
Temporizador interno
Interne Zeitschaltuhr
Timer interno
Temporizador interno
- Check filter
Vérifiez le filtre
Revise el filtro
Filter überprüfen
Controllare il sacchetto filtrante
Verifique o Filtro
- External timer
Minuterie externe
Temporizador externo
Externe Zeitschaltuhr
Timer esterno
Temporizador externo

PROGRAM 03	96h	
PROGRAM 02	72h	
PROGRAM 01	48h	

SPS 200

ROBOTIC POOL CLEANER TYPE CYCLONE

Aquacontrol

- Swivel
Pivot
Swivel
Drehlager
Manopola di disattorcigliamento
Swivel
- Cleaning program
Mode nettoyage
Programa de limpieza
Reinigungsprogramm
Programma di pulizia
Programa de limpeza
- Internal timer
Minuterie interne
Temporizador interno
Interne Zeitschaltuhr
Timer interno
Temporizador interno

Check filter
Vérifiez le filtre
Revise el filtro
Filter überprüfen
Controllare il sacchetto filtrante
Verifique o Filtro

HIGH	PROGRAM 03	96h	
NORMAL	PROGRAM 02	72h	
	PROGRAM 01	48h	

SPS 300

Aquacontrol

- Auto detect
Auto detection
Auto detección
Automatische erkennung
Auto diagnosi
Detección automática
- Swivel
Pivot
Swivel
Drehlager
Manopola di disattorcigliamento
Swivel
- Internal timer
Minuterie interne
Temporizador interno
Interne Zeitschaltuhr
Timer interno
Temporizador interno
- External timer
Minuterie externe
Temporizador externo
Externe Zeitschaltuhr
Timer esterno
Temporizador externo

Pool shape
Forme de piscine
Forme de la piscine
Beckenform
Forma piscine
Forma da piscina

Cleaning program
Mode nettoyage
Programa de limpieza
Reinigungsprogramm
Programma di pulizia
Programa de limpeza

Check filter
Vérifiez le filtre
Revise el filtro
Filter überprüfen
Controllare il sacchetto filtrante
Verifique o Filtro

SPS 400

Aquacontrol

- Auto detect
Auto detection
Auto detección
Automatische erkennung
Auto diagnosi
Detección automática
- Swivel
Pivot
Swivel
Drehlager
Manopola di disattorcigliamento
Swivel
- Cleaning Level
Niveau de Nettoyage
Nível de Limpeza
Reinigungsstufe
Livello di Pulizia
Nível de Limpeza
- Delay
Retard
Retrasar
Verzögerung
Ritardo
Atrasar

Pool shape
Forme de piscine
Forme de la piscine
Beckenform
Forma piscine
Forma da piscina

Cleaning program
Mode nettoyage
Programa de limpieza
Reinigungsprogramm
Programma di pulizia
Programa de limpeza

















Check filter
Vérifiez le filtre
Revise el filtro
Filter überprüfen
Controllare il sacchetto filtrante
Verifique o Filtro

SPS 500

ROBOTIC POOL CLEANER TYPE CYCLONE

8.2. OVERLAY BUTTONS

MODEL

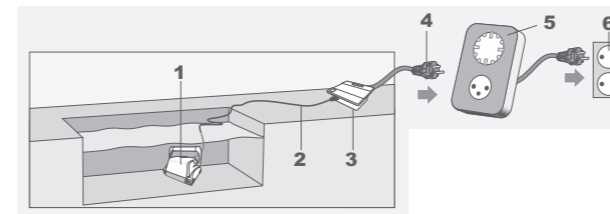
100/200 300/400 500		Check filter - Illuminated light means the filter bag must be removed, cleaned and properly installed back into the robot to work efficiently. In Models 300, 400, 500 - the robotic cleaner will stop climbing on the walls once the Check Filter is illuminated
100		Cleaning time - time duration spent cleaning the pool. Press the button to select the desired time. A red light will indicate your selection. This feature can only be selected when the Power supply is in standby mode
200 300/400		Internal timer - Automatic operation option: Every 48 hours Every 72 hours Every 96 hours
200/300		Cleaning program selection: Program 01 – 1 hour floor and wall cleaning Program 02 – 1.5 hour floor and wall cleaning. Program 03 – 2 hour floor and wall cleaning.
400		Cleaning program selection: Program 01 – 1.5 hour floor only cleaning program Program 02 – 2 hour floor and wall cleaning. Program 03 – 2.5 hour floor and wall cleaning.
500		Cleaning program selection. Program 01 – 2 hour floor only cleaning program Program 02 – 4 hour floor and wall cleaning. (on certain models wall cleaning feature is not available) Program 03 – 5 hour floor and wall cleaning. (on certain models wall cleaning feature is not available)
200 300/400		External timer This feature gives the option to the end user to program the cleaning schedule through an external timer (sold separately). Pressing this button enables and disables this feature.
300/400 500		Swivel – adjust the robots rate of turns in the pool. Normal – Standard operation High – Different rate of turns
400/500		Auto detect: this feature prevents the robot from getting stuck on obstacles in the pool such as main drains, steps, ladders etc. Press this button to choose one of the following options:  Auto-Detect - OFF. Choose this option if your pool has obstacles on the floor such as high drain. This will prevent the unit from changing direction upon hitting the obstacle.  Auto-Detect - ON. Choose this option if the pool floor is free of obstacles.
400/500		Pool shape: Allows the robot to calculate the most efficient cleaning pattern for the pool shape chosen. Press the button to select the drawing most suitable to the shape of the pool. A red light will indicate your selection.
500		Cleaning level – Change the cleaning performance  Quick: Choose if your pool has small amount of dirt  Regular: Choose for daily maintenance  Thorough: Choose if your pool has large amount of dirt
500		Delay When this option is On, the robot will start to work after 2 hours of delay. This feature is used to let debris and dust sink on the floor before starting the robot's cleaning.

ROBOTIC POOL CLEANER TYPE CYCLONE

8.3. USING AN EXTERNAL TIMER

(Optional, should be purchased separately)

An external timer can be used to automatically activate the Cleaner on pre-set time. The external timer should be connected between the wall socket and the Power and Control unit



1. Unit
2. Cable
3. Power supply
4. Power supply plug
5. External timer (purchased separately)
6. Outlet

9. TROUBLESHOOTING

CLEANER DOES NOT TURN ON.

There is no electricity in the wall socket.

1. Disconnect cleaner from the power and control unit.
2. Disconnect power supply from the wall socket, wait 30 seconds and reconnect.
3. Turn power ON. If not activated, connect the unit to a different wall socket.

Floating cable not connected properly to the power and control unit.

Reconnect the floating cable to the power and control unit.

Obstacle in the drive system of the cleaner unit.

1. Turn the cleaner unit carefully to view the underside.
2. Rotate the tracks and scrubbing brushes by hand. It should rotate but it should not rotate freely.
3. Clean and remove obstacles and debris if necessary.

Propeller is seized due to accumulation of hair.

Check if the propeller is broken or needs to be cleaned (see "Checking Water Outlet Propeller").

CLEANER MOVES BUT DOES NOT PUMP WATER.

Filters are dirty.

1. Remove the filters
2. Run the robotic cleaner in the pool without the filters. If working properly, clean the filters well or replace the filters.

Propeller is broken or seized due to accumulation of hair.

Check if the propeller is broken or needs cleaning (see "Checking Water Outlet Propeller").

CLEANER PUMPS WATER BUT DOES NOT MOVE.

Obstacle in the drive system of the cleaner unit.

1. Turn the cleaner unit carefully to view the underside.
2. Rotate the tracks and scrubbing brushes by hand. It should rotate but it should not rotate freely.
3. Clean and remove obstacles and debris if necessary.

CLEANER STARTS AND SHUTS OFF AFTER A SHORT TIME.

Filters are dirty.

1. Remove the filters.
2. Run the robotic cleaner without the filters. If working properly, clean the filters well or replace the filters.

Propeller is broken or seized due to accumulation of hair.

1. Remove the top screws on the top outlet.
2. Check if the propeller is broken or needs to be cleaned.

Obstacle in the drive system of the cleaner unit.

1. Turn the cleaner unit carefully to view the underside.
2. Rotate the tracks and scrubbing brushes by hand. It should rotate but it should not rotate freely.
3. Clean and remove obstacles and debris if necessary.

CLEANER DOES NOT PICK UP DIRT.

Filters are dirty or have holes.

Clean as needed and verify that there no holes in the filters.

Propeller is broken or seized due to accumulation of hair.

Check if the propeller is broken or needs cleaning (see "Checking Water Outlet Propeller").

The suction inlet is not close enough to the pool floor.

Move the suction inlet OUT (see "Adjusting Suction Height").

DIRT COMES OUT OF THE CLEANER WHEN REMOVING IT FROM POOL.

Filter shutter is broken or missing.

Open the filters and verify that the filter shutter is not broken and functions properly (see "Cleaning Filters")

Holes in the filters.

Open the filters and verify that there are no holes in the filter screens (see "Cleaning Filters")

Bottom lid is not properly closed.

Make sure that the bottom lid is properly closed.

EN

DE

FR

ROBOTIC POOL CLEANER TYPE CYCLONE

CLEANER UNIT DOES NOT COVER THE ENTIRE POOL.

Filters are dirty.
Clean the filters.

There is not enough length of the floating cable in the water to reach the far end of the pool, or the cable is tangled.

1. Verify that there is enough length of the floating cable in the water to reach the far end of the pool.
2. Make sure that the floating cable is properly spread out and is not tangled.

The angle of the floating handle affects the cleaner movement.

Increase diagonal angle of the floating handle (see "Adjusting Floating Handle").

Pool pH level is incorrect.

Make sure that the pH level is between 7.2 and 7.6.

Chlorine level is incorrect.

Check water chlorine treatment and correct if required (Remove the cleaner from the pool during the treatment.)

Propeller is broken or seized due to accumulation of hair.

1. Remove the top screws on the top outlet.
2. Check if the propeller is broken or needs cleaning.

Obstacle in the drive system of the cleaner unit.

1. Turn the cleaner unit carefully to view the underside.
2. Rotate the tracks and scrubbing brushes by hand. It should rotate but it should not rotate freely.
3. Clean and remove obstacles and debris if necessary.

THE CLEANER DOES NOT CLIMB WALLS.

The cleaner is not climbing the pool walls.

1. Verify that your robotic cleaner is not a floor-only model.
2. Verify that P1, floor cleaning only, is not selected on the power and control unit (see "Robotic Cleaner Programming").

Filters are dirty.
Clean the filters.

Propeller is broken or seized due to accumulation of hair.

Check if the propeller is broken or needs cleaning (see "Checking Water Outlet Propeller").

pH level is incorrect.

Make sure that pH is between 7.2 and 7.6.

Chlorine level is incorrect.

Check water chlorine treatment (remove the cleaner from the pool during treatment).

Water temperature is not optimal.

Recommended temperature is between 22°C–32°C (72°F–90°F).

THE CABLE IS TANGLED.

Filters are dirty.
Clean the filters.

Bottom lid is not properly closed.

Make sure that the bottom lid is properly closed.

Cable is not spread out before putting the cleaner unit into the pool.

Make sure that the floating cable is properly spread out and not tangled before operating the robotic cleaner.

The length of the cable in the water is too long.

Verify that the length of cable in the water equal to the pool diagonal length plus two meters.

Propeller is broken or seized due to accumulation of hair.

Check if the propeller is broken or needs cleaning (see "Checking Water Outlet Propeller").

REMOTE CONTROL DOES NOT WORK.

The battery is empty. The LED is blinking or OFF.

Check the battery by pressing one of the buttons. The red light on the remote control unit does not blink or stay lit continuously if the battery is empty. Contact your dealer or service center.

ROBOTIC POOL CLEANER TYPE CYCLONE

10. REMOTE CONTROL

This chapter reviews the operation of the optional remote control unit. The remote control is included in some models.

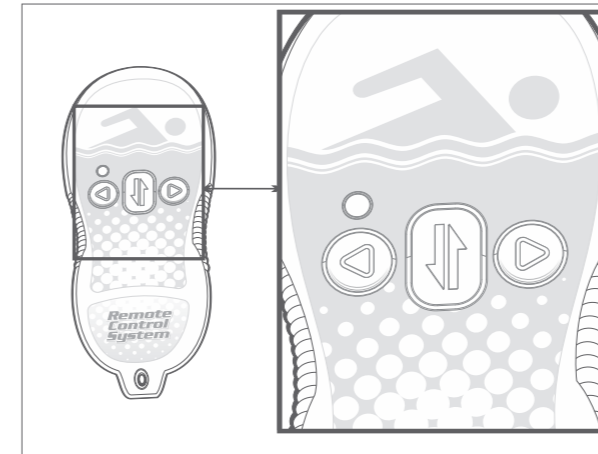
10.1. REMOTE CONTROL OVERVIEW

The remote control is an optional feature that enables controlling the robotic cleaner via remote command buttons. When pressing the remote control buttons, radio signal is transmitted to the power and control unit. This signal is transferred into a command sent to the robotic cleaner via the floating cable.

10.2. USING THE REMOTE CONTROL

1. Press the right button (3) to turn the robotic cleaner right. The robotic cleaner continues turning to the right until the button is released.
2. Press the left button (1) to turn the robotic cleaner left. The robotic cleaner continues turning to the left until the button is released.
3. Press the Forward/Reverse button (2) to stop the robotic cleaner and change its direction of movement.

The remote control LED is lit after each command. If the LED does not respond or flashing, replace the battery.



11. CADDY (OPTIONAL)

11.1. OVERVIEW

The caddy is an optional accessory that makes it easy to move the robotic cleaner, floating cable and the power and control unit from place to place.

11.2. ASSEMBLING THE CADDY

To assemble the caddy, you need a standard screwdriver and a 8 mm wrench.

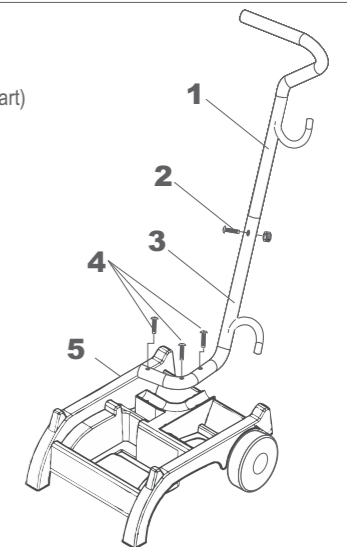
Connecting the Caddy Handle

1. Fasten the handle bottom part (3) to the caddy frame (5) with the three screws (4) and nuts.
2. Connect the handle top part (1) to the handle bottom part (3) using screw (2) and nut.

11.3. LOADING THE ROBOTIC CLEANER ON THE CADDY

1. Place the cleaner unit on the caddy base.
2. Coil the floating cable and place it on the cleaner unit.
3. Place the power and control unit on top of the floating cable coil.

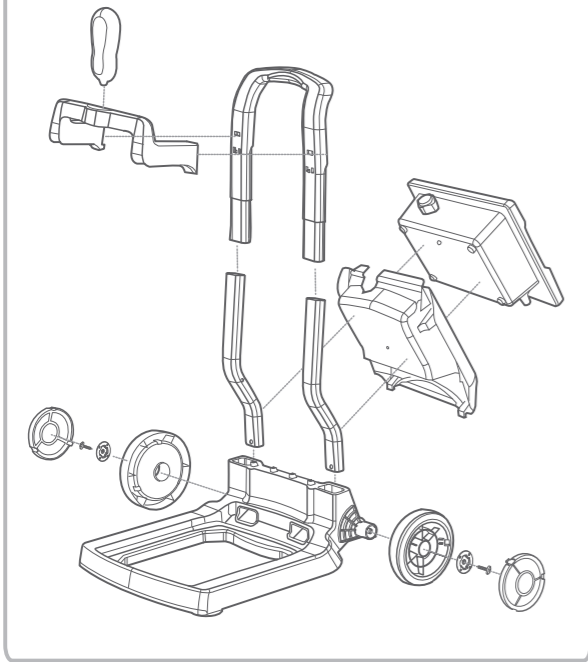
1. Handle (Top Part)
2. Handle Screws
3. Handle (Bottom Part)
4. Frame screws
5. Caddy Frame



ROBOTIC POOL CLEANER TYPE CYCLONE

12. TROLLEY (OPTIONAL)

Assembly Diagram

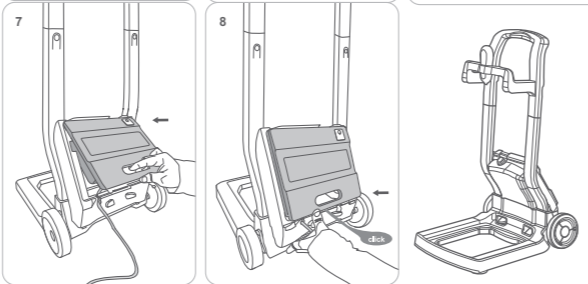
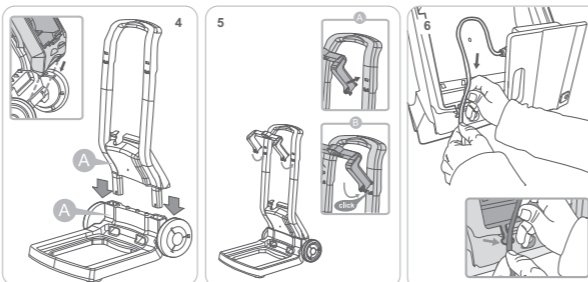
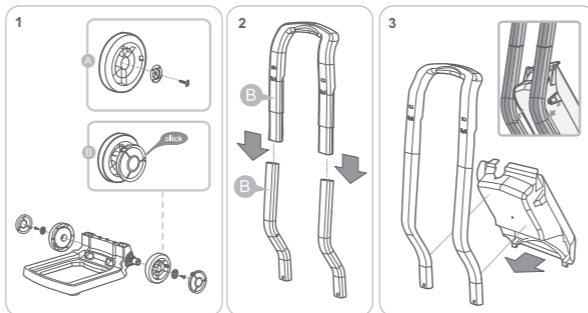
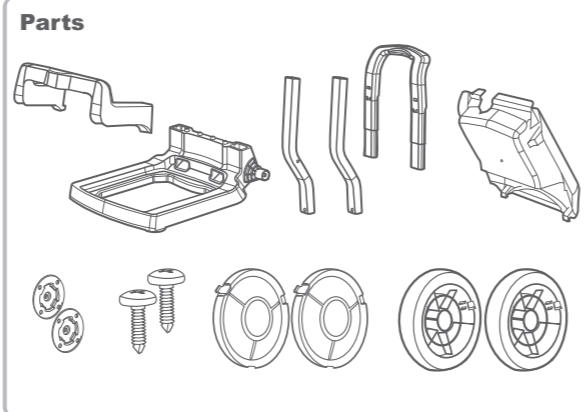


12.1. OVERVIEW

The trolley is an optional accessory that makes it easy to move the robotic cleaner and provides a mounting site for the power and control unit.

12.2 ASSEMBLING THE TROLLEY:

1. Attach the wheels to both sides of the trolley base and fasten each wheel with the screw and install the cover.
2. Assemble the two sections of the handle.
3. Attach the power and control unit housing by clicking the upper tabs into the holes in the handle.
4. Insert the handle into the trolley base. Click the lower tabs of the power and control unit housing into the trolley base.
5. Attach the remote control holder by inserting the upper part into the trolley handle and turning the holder downward until the lower part clicks.
6. Attach the cable of the power supply
7. Place the power and control unit cable in the groove in the trolley base.
8. Place the upper part of the power and control unit in the housing and push the lower part downward until it clicks into the trolley base.



NOTES

EINHALT

1. KURZANLEITUNG	22
2. SCHWIMMENDE SCHAUM INSTALLATION	22
3. WICHTIGE SICHERHEITSHINWEISE	23
4. EINFÜHRUNG	23
4.1 Systemübersicht	23
4.2 Wie der Robotische Reiniger Ihr Schwimmbecken reinigt	23
4.3 Betriebsbedingungen	24
5. KOMPONENTEN	24
5.1 Der robotische Reiniger	24
5.2 Strom- und Steuereinheit	24
6. BETRIEB	24
6.1 Vor der ersten Inbetriebnahme	24
6.2 Absetzen des Reinigers ins Wasser	25
6.3 Inbetriebnahme des robotischen Reinigers	26
6.4 Reinigungszyklus	26
6.5 Den Betrieb des robotischen Reinigers anhalten	26
6.6 Den Reiniger aus dem Wasser ziehen	26
7. WARTUNG	27
7.1 Reinigung der Filter	27
7.2 Lagerung des robotischen Reinigers	27
7.3 Überprüfen des Wasserauslass-Propellers	27
8. PROGRAMMIEROPTIONEN	28
8.1 Steuerkonsole	28
8.2 Einblendungstasten	30
8.3 Verwendung eines externen Timers	31
9. FEHLERBESEITIGUNG	31
10. FERNBEDIENUNG	33
10.1 Übersicht Fernbedienung	33
10.2 Verwendung der Fernbedienung	33
11. TRANSPORTBEHÄLTER (OPTIONAL)	33
11.1 Overview	33
11.2 Montage des Transportbehälters	33
11.3 Laden des robotischen Reinigers auf den Transportbehälter	33
12. TRANSPORTWAGEN (OPTIONAL)	34
12.1 Overview	34
12.2 Montage des Transportwagens	34

Fehler und technische Änderungen können nur mit unserer schriftlichen Genehmigung geändert, reproduziert oder elektronisch vervielfältigt werden.

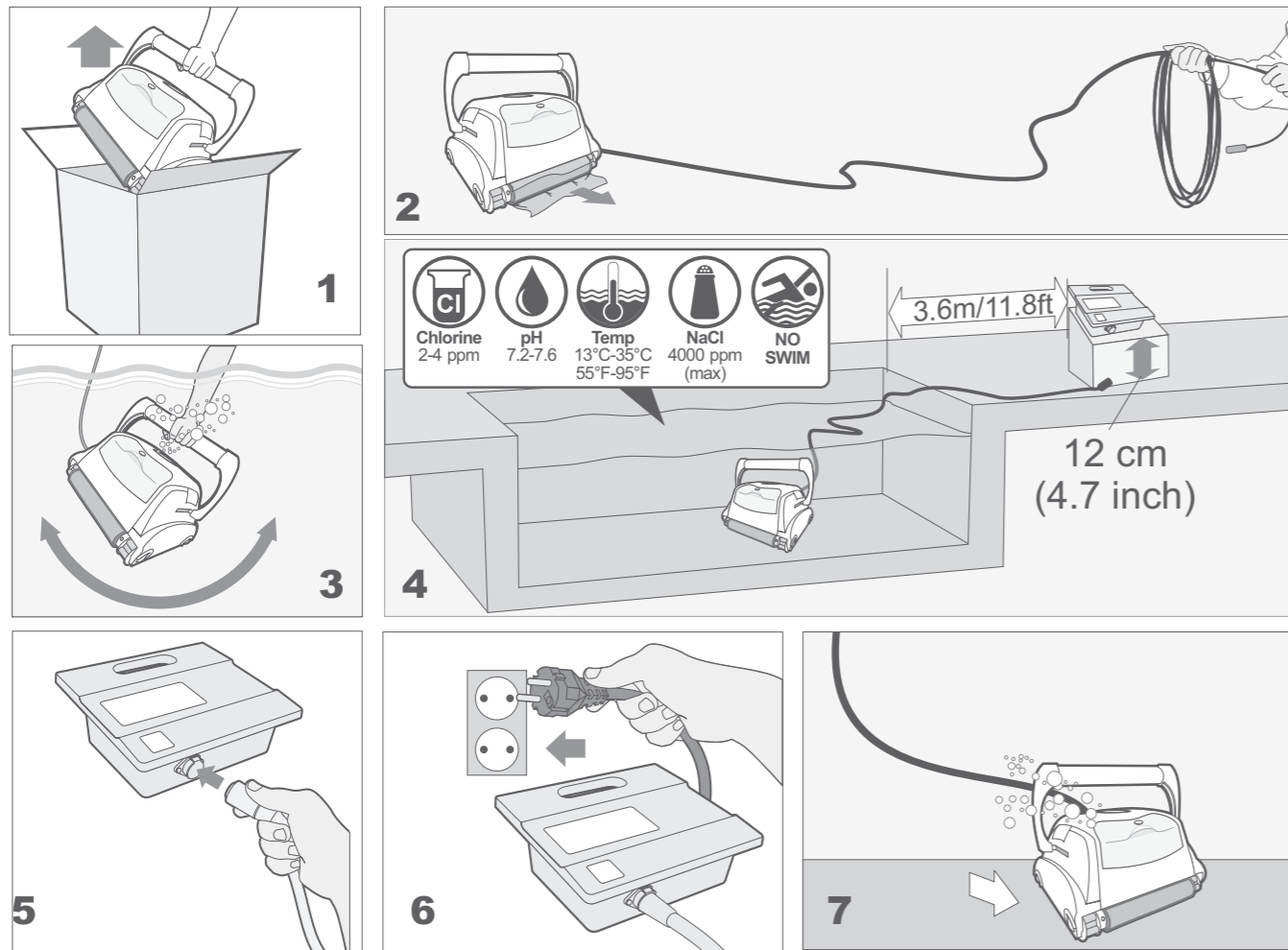
© NORSUP

Auflage: 11.2020

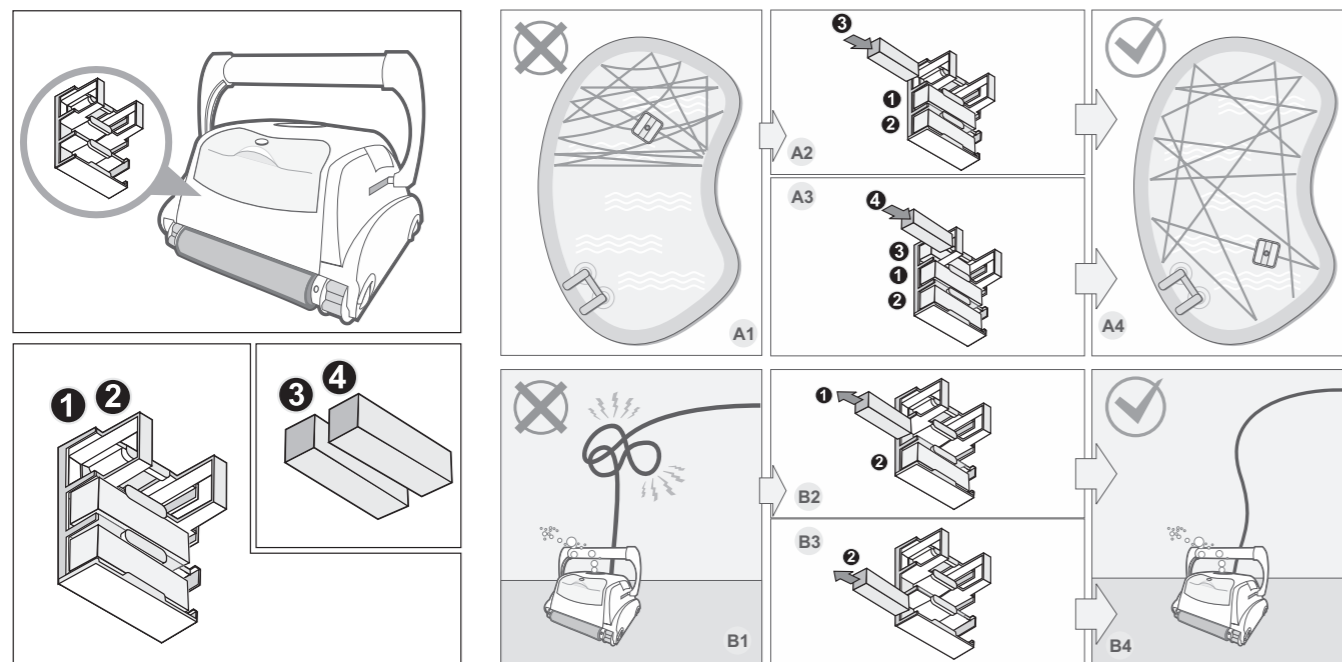


AUTOMATISCHER SCHWIMMBECKENREINIGER ART CYCLONE

1. KURZANLEITUNG



2. SCHWIMMENDE SCHAUM INSTALLATION



AUTOMATISCHER SCHWIMMBECKENREINIGER ART CYCLONE

3. WICHTIGE SICHERHEITSHINWEISE

BITTE LESEN UND BEFOLGEN SIE ALLE ANWEISUNGEN

ACHTUNG: Schließen Sie die Stromversorgung nicht an eine geerdete Steckdose an oder schalten Sie nicht den Schwimmbeckenreiniger auf "ON (AN)", wenn er nicht vollständig im Wasser eingetaucht ist. Das Betätigen des Reinigers außerhalb des Wassers führt sofort zu ernsthaften Schäden und zum Verlust der Garantie.

Belassen Sie den Reiniger im Schwimmbecken zwischen 15 und 20 Minuten bis zum Ende seines Reinigungszyklus. Dadurch werden die Motoren ausreichend gekühlt. Belassen Sie den Reiniger aber nicht die ganze Zeit im Schwimmbecken. Denken Sie immer daran, die Stromversorgung auf "OFF (AUS)" zu schalten und den Stromanschluss aus der Netzsteckdose zu ziehen, bevor Sie den Reiniger aus dem Schwimmbecken entfernen.

VORSICHT:

Verwenden Sie Ihren Reiniger nur für Schwimmbecken und verwenden Sie ihn nicht, während sich Menschen im Wasser befinden.

Sicherheitshinweis

- Das Gerät muss mit einem Fehlerstromschutzschalter (RCD) ausgestattet sein, der einen restlichen Nennbetriebsstrom von 30 mA nicht überschreitet.
- Der Anschluss zum Abzweigstromkreis sollte mit den örtlichen und nationalen Verdrahtungsvorschriften (Sicherheitsstandard für Elektroinstallationen) übereinstimmen.
- Falsche Bedienung des Gerätes kann zum Auslaufen von Schmiermitteln führen.
- Sollte das Netzkabel beschädigt sein, muss es von einem Wartungsservice des Herstellers oder einer qualifiziert ausgebildeten Person ersetzt werden, um Gefahren zu vermeiden.



Der Umgang mit diesem Elektrogerät ist für Personen (einschließlich Kinder) mit körperlichen, sensorischen oder geistigen Einschränkungen, oder mit mangelnden Erfahrungen und Kenntnissen nicht geeignet, außer wenn sie beim Umgang mit dem Gerät von einer für ihre Sicherheit verantwortlichen Person beaufsichtigt und angeleitet werden. Kinder sollten beaufsichtigt werden, um das Spielen mit dem Elektrogerät zu verhindern.

VORSICHT

Ein Erdschlussstromunterbrecher (GFCI-USA) oder ein Fehlerstromschutzschalter (RCD-EUROPE) muss installiert werden, um Ihre Steckdose zu schützen und mögliche Stromschläge zu verhindern.

BEWAHREN SIE DIESE ANWEISUNGEN

Erdung

Das Netzteil muss an eine geerdete 3-adrige Steckdose angeschlossen werden. Der Netzanschluss muss an einem GFCI/RCD (FI-Schutzschalter) angeschlossen sein, der einen bestimmten Differenzstrom von nicht mehr als 30 mA überschreitet.

Sicherung

Die Sicherung sollte nur von einem autorisierten Kundendienstmitarbeiter oder einem qualifizierten Techniker ersetzt werden. Ersetzen Sie die Sicherung nur mit demselben Typ und derselben Absicherung für den fortlaufenden Schutz gegen Brandgefahr.

Wartung und Sicherheit

Die Abdeckung sollte nur von einem autorisierten Kundendienstmitarbeiter oder einem qualifizierten Techniker entfernt werden. Kein(e) interne Einstellung oder Komponentenaustausch sollte vom Benutzer durchgeführt werden. Das Netzkabel muss vor dem Entfernen der Abdeckung von der Steckdose getrennt werden. Wenn das Netzanschlusskabel beschädigt ist, muss es durch einen autorisierten Kundendienstmitarbeiter oder qualifizierten Techniker ersetzt werden. Bedienen Sie das Gerät nicht, wenn das Kabel beschädigt ist.

Äußere Bedingungen

Das Netzteil wird so konzipiert, um im Innen- und Außenbereich zu funktionieren. Jedoch sollte die Einheit keinem direkten Sonnenlicht oder Wasser ausgesetzt sein und in keiner Umgebungstemperatur von über 40° C bedient werden.

4. EINFÜHRUNG

4.1 SYSTEMÜBERSICHT

Der robotische Reiniger säubert den Boden und die Wände des Schwimmbeckens, um Schmutz und Verunreinigung in seinen internen Filtern zu sammeln. Diese Bedienungsanleitung erklärt, wie man den robotischen Reiniger einschließlich Reinigung, Wartung und Lagerung bedient.

HINWEIS

Diese Anleitung bespricht mehrere Modelle von robotischen Reinigern. Einige Variationen von Komponenten sind gemäß dem spezifischen Modell vorhanden.

4.2 Wie der Robotische Reiniger Ihr Schwimmbecken reinigt

Nachdem der robotische Reiniger im Schwimmbecken platziert und aktiviert wurde, arbeitet er das Programm ab, das auf der Strom- und Steuereinheit eingestellt wurde. Der robotische Reiniger bewegt sich entlang des Bodens und der Wände des Schwimmbeckens, um den vollständigen Bereich abzudecken. Wenn der robotische Reiniger sein Programm beendet hat, verbleibt er inaktiv auf dem Schwimmbeckenboden.

HINWEIS

Das Wändeklettern ist eine optionale Funktion. Ist die Wändekletter-Funktion aktiviert, steigt der robotische Reiniger in Intervallen die Wand hoch, die durch sein internes Programm festgelegt wurden. Die Fähigkeit des Reinigers im Schwimmbecken über Stufen zu klettern, hängt von der Stufegeometrie und dem Material ab.

AUTOMATISCHER SCHWIMMBECKENREINIGER ART CYCLONE

4.3 Betriebsbedingungen

Der robotische Reiniger ist ausschließlich für den Einsatz in Schwimmbecken unter folgenden Bedingungen geeignet:

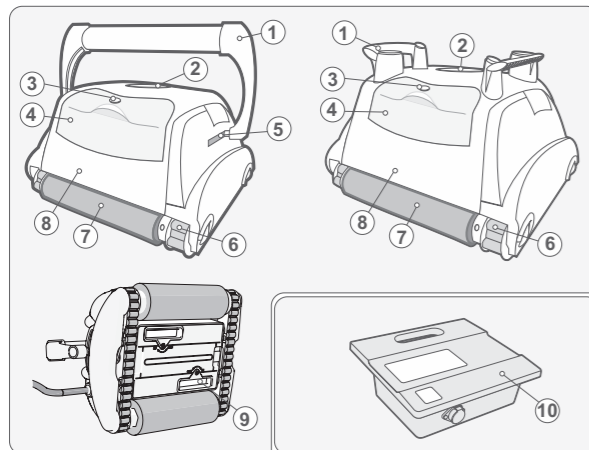
- Temperaturen von 13 °C - 35 °C (55 °F - 95 °F), empfohlene Temperatur zwischen 22 °C - 32 °C (72 °F - 90 °F).
- Wasser pH : 7,2 - 7,6
- Chlorgehalt: das Schwimmbecken wird entsprechend der Herstellerangaben instandgehalten.

HINWEIS

Werden diese empfohlenen Betriebsbedingungen für das Schwimmbecken nicht eingehalten, könnte der robotische Reiniger nicht richtig funktionieren.

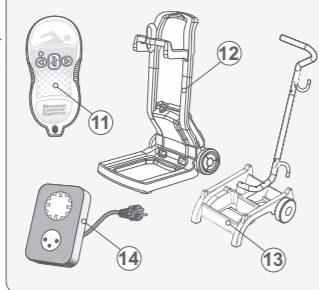
5. KOMPONENTEN

5.1. DER ROBOTISCHE REINIGER



1. Griff
2. Auslassdeckel
3. Entriegelung für den Filter
4. Oberer Zugang zum Filter
5. Verriegelungsmechanismus des Griffs
6. Antriebsführung
7. Reinigungsbürste
8. Gerätegehäuse
9. Saugöffnung
10. Netzteil

Optional

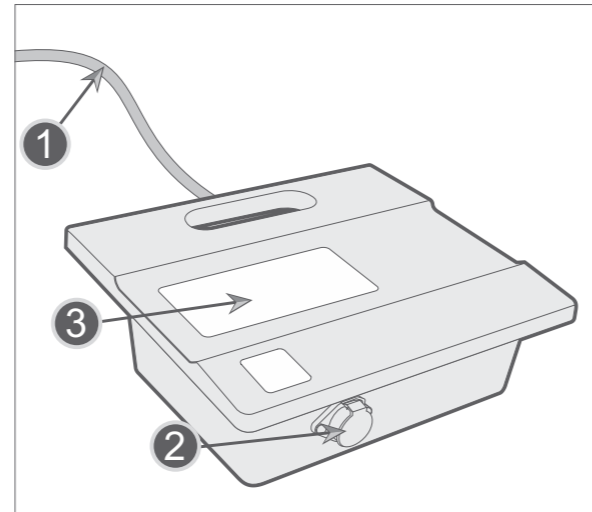


- Optional**
11. Fernbedienung
 12. Transportbehälter
 13. Transportwagen
 14. Externer Timer (separat verkauft)

5.2. STROM- UND STEUER-EINHEIT

Die Strom- und Steuereinheit ist mit dem robotischen Reiniger durch ein Schwimmkabel verbunden. Das Gerät wird mit Wechselstrom (1) gespeist und versorgt den Reiniger mit Niederspannung und Befehlen aus der

Steckdose (2). Es besitzt eine Steuerkonsole (3) mit verschiedenen Steuerfunktionen, um den robotischen Reiniger zu bedienen.



Inhalt der Verpackung

Der robotische Reiniger befindet sich in einer Verpackung mit folgendem Inhalt:

- Robotischer Reiniger und Schwimmkabel
- Strom- und Steuereinheit
- Bedienungsanleitung

Gemäß dem gekauften Modell können folgende Zubehörteile im Paket enthalten sein:

- Fernbedienung
- Transportbehälter
- Transportwagen
- Weiteres Zubehör

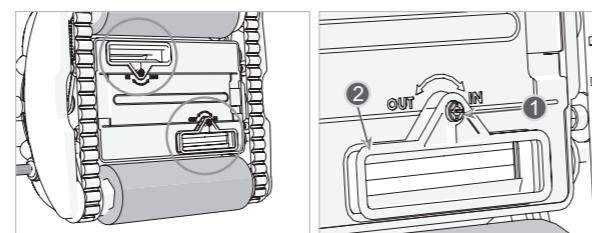
6. BETRIEB

6.1. VOR DER ERSTEN INBETRIEBNAHME

Einstellung der Saughöhe: Die Positionierung der Saugöffnung (2) nahe der Schwimmbecken-Oberfläche erhöht die Saugleistung und die Reinigungsqualität. Das Senken der Saugöffnung könnte zur Interferenz mit Hindernissen auf dem Boden oder den Wänden des Schwimmbeckens führen.

Verwenden Sie einen Schraubenzieher, um den Einstellknopf der Saugöffnung (1) zu justieren.

- IN – bewegt die Saugöffnung von der Schwimmbecken-Oberfläche weg und vermindert die Saugleistung.
- OUT – bewegt die Saugöffnung näher zur Schwimmbecken-Oberfläche und erhöht die Saugleistung.

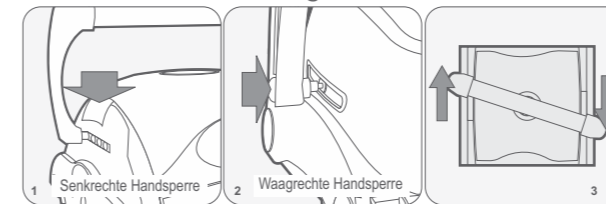


AUTOMATISCHER SCHWIMMBECKENREINIGER ART CYCLONE

Einstellung des Gleitgriffs

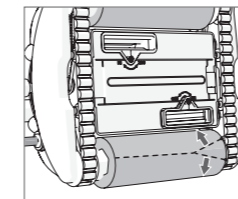
Einstellung des Gleitgriffs bei Modellen mit Wändekletterfunktion:

1. Drücken Sie die Verriegelungstaste (1 oder 2 gemäß Modell), um den Verriegelungsgriff zu lösen.
2. Platzieren Sie den Griff (3) diagonal an der maximalen Position.
3. Wiederholen Sie die Schritte 1 und 2 auf der anderen Seite des Reinigers.



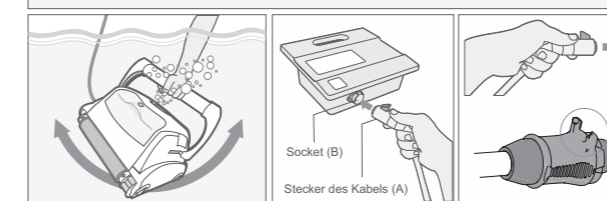
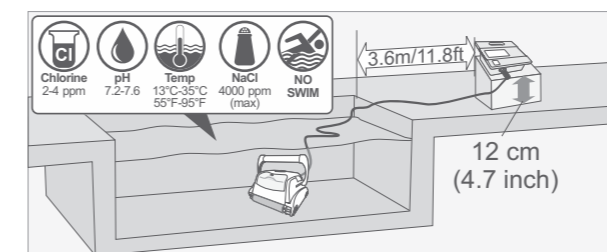
Entfernen der Bürstenabdeckungen

Der robotische Reiniger wird mit einer Schutzabdeckung auf den Reinigungsbürsten versendet. Entfernen Sie vorsichtig die Nylonhüllen von den Reinigungsbürsten.



VORSICHTS MASSNAHMEN

Verwenden Sie keine scharfen Werkzeuge, um die Abdeckung zu entfernen, da sonst die Bürsten beschädigt werden könnten.



Platzierung der Strom- und Steuereinheit

4. Platzieren Sie die Strom- und Steuereinheit mindestens 3,6 Meter/11,8 Fuß vom Schwimmbecken und mindestens 12 cm/4 Zoll über der Oberfläche.

VORSICHTS MASSNAHMEN

Die Strom- und Steuereinheit sollte keinem direkten Sonnenlicht oder Wasser ausgesetzt sein

5. Lösen Sie das Schwimmkabel vom den Plastikbändern, die die Kabel während des Versandes sichern, indem Sie die Plastikschnapper auf den Bändern drücken.

Bevor Sie den Reiniger ins Wasser lassen:

1. Achten Sie darauf, dass sich keine Personen im Schwimmbecken befinden.
2. Achten Sie darauf, dass die Filter sauber sind.
3. Achten Sie auf die Einhaltung der Bedingungen für Schwimmbecken; (siehe "Betriebsbedingungen").

6.2. ABSETZEN DES REINIGERS INS WASSER

1. Rollen Sie das Schwimmkabel ab. Es wird empfohlen, die Kabellänge zu verlängern, damit sie der Schwimmbeckendiagonale plus 2 Meter entspricht.
2. Setzen Sie den Reiniger im Schwimmbecken ab.
3. Lassen Sie den Reiniger auf den Grund des Schwimmbeckens sinken. Fangen Sie nicht mit dem Betrieb an, bevor sich der robotische Reiniger auf den Schwimmbeckenboden abgesetzt hat.
4. Verteilen Sie das Schwimmkabel über das Schwimmbecken. Achten Sie darauf, dass nur die erforderliche Kabellänge über das Schwimmbecken verteilt wird. Glätten Sie Windungen oder Verdrehungen im Kabel. Rollen Sie Extrakabel außerhalb des Schwimmbeckens in der Nähe von der Strom- und Steuereinheit auf.
5. Verbinden Sie das Schwimmkabel (A) mit der Anschlussbuchse (B) auf der Strom- und Steuereinheit.

VORSICHTS MASSNAHMEN

Das Betätigen des Roboters außerhalb des Wassers führt sofort zu ernsthaften Schäden und zum Verlust der Garantie.

AUTOMATISCHER SCHWIMMBECKENREINIGER ART CYCLONE

6.3. INBETRIEBNAHME DES ROBOTISCHEN REINIGERS

Schließen Sie die Strom- und Steuereinheit an die Steckdose an. Die Betriebs-LED (1) leuchtet auf und der robotische Reiniger fängt mit seinem Reinigungsprogramm an..

Wenn die Strom- und Steuereinheit bereits an die Netzsteckdose angeschlossen ist, blinkt die Betriebs-LED (5) auf, um anzuzeigen, dass der robotische Reiniger im Standby-Modus ist.

Drücken Sie die Bedientaste (6). Die Betriebs-LED leuchtet auf und der robotische Reiniger fängt mit seinem Reinigungsprogramm an.“

HINWEIS

Wenn die LED „Filter überprüfen“ aufleuchtet, müssen die Filter des robotischen Reinigers im Schwimmbecken gereinigt werden, bevor Sie den Reiniger ins Wasser lassen. Die LED „Filter überprüfen“ ist in einigen Modellen optional.

6.4. REINIGUNGSZYKLUS

Während des Reinigungszyklus sollte der robotische Reiniger:

- Über den Schwimmbeckenboden laufen, um Schmutz und Verunreinigungen aufzusammeln.
- Automatisch gemäß dem ausgewählten Programm lenken und drehen.
- Schwimmbeckenwände alle paar Minuten hochklettern, wie in seinem internen Programm eingestellt.

HINWEIS

Der robotische Reiniger könnte gelegentlich aufhören, sich für paar Sekunden zu bewegen. Das ist ein Teil des Normalbetriebes, keine Fehlfunktion.

6.5. DEN BETRIEB DES ROBOTISCHEN REINIGERS ANHALTEN

Der robotische Reiniger geht automatisch nach jedem Reinigungszyklus in STANDBY und die Betriebs-LED (5) blinkt auf.

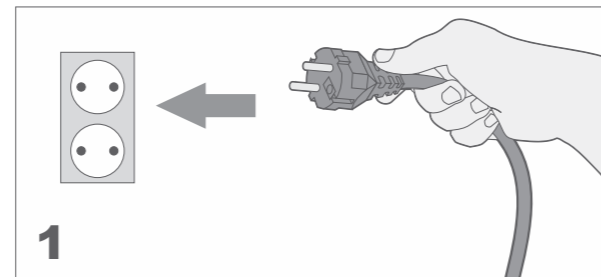
Um den Reinigerbetrieb während eines Reinigungszyklus anzuhalten, drücken Sie die Bedienungstaste (7) einmal. Die Betriebs-LED (7) blinkt auf und der Reiniger ist im Standby Modus.

6.6. DEN REINIGER AUS DEM WASSER ZIEHEN

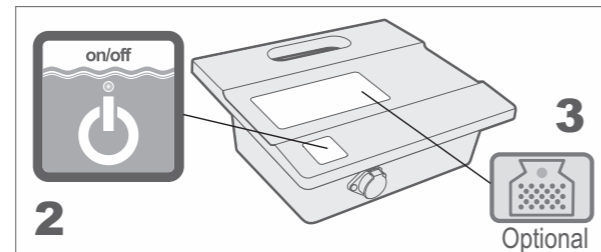
1. Trennen Sie das Schwimmkabel von der Strom- und Steuereinheit.
2. Ziehen Sie am Schwimmkabel den Reiniger näher heran, bis man den Griff fassen kann.
3. Heben Sie den Reiniger am Griff aus dem Schwimmbecken.

VORSICHTSMASSNAHMEN ⚠

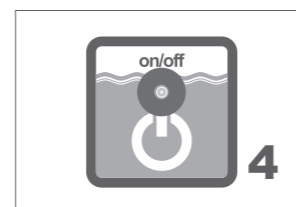
Verwenden Sie nicht das Schwimmkabel, um den Reiniger aus dem Wasser zu heben.



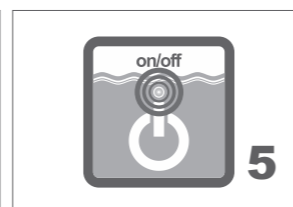
1



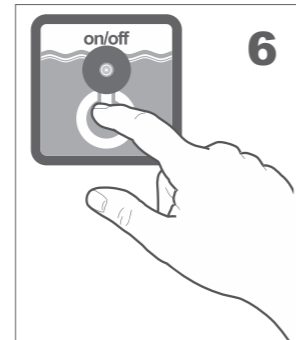
2



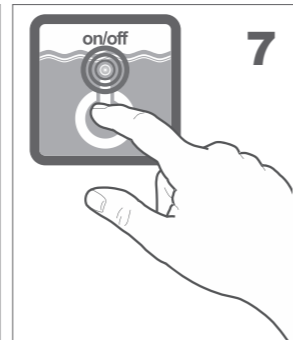
4



5



6



7

AUTOMATISCHER SCHWIMMBECKENREINIGER ART CYCLONE

7. WARTUNG

7.1. REINIGUNG DER FILTER

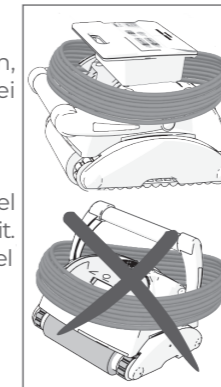
Die zwei Filter müssen nach jedem Reinigungszyklus gereinigt werden.

1. Lösen Sie den Filter und ziehen Sie ihn aus dem Reiniger.
2. Ziehen Sie die Filtertür (2) gegen das Filtergehäuse (2), um den Filterkasten zu öffnen.
3. Sprühen Sie Wasser auf den Außenseiten (1) und danach auf die Innenseite (3) des Filters, um sämtlichen Schmutz und Verunreinigungen zu entfernen.
4. Prüfen Sie, ob der kleine Plastikverschluss (2) an der richtigen Stelle und nicht beschädigt ist.
5. Schließen Sie den Filter.
6. Setzen Sie den Filter zurück in seine Position ein, bis ein Klicken zu hören ist, um sicherzustellen, dass der Filter an der richtigen Stelle ist.
7. Wiederholen Sie den Reinigungsvorgang für den zweiten Filter.

7.2. LAGERUNG DES ROBOTISCHEN REINIGERS

Befolgen Sie diese Anweisungen, um den robotischen Reiniger bei Nichtverwendung zu lagern:

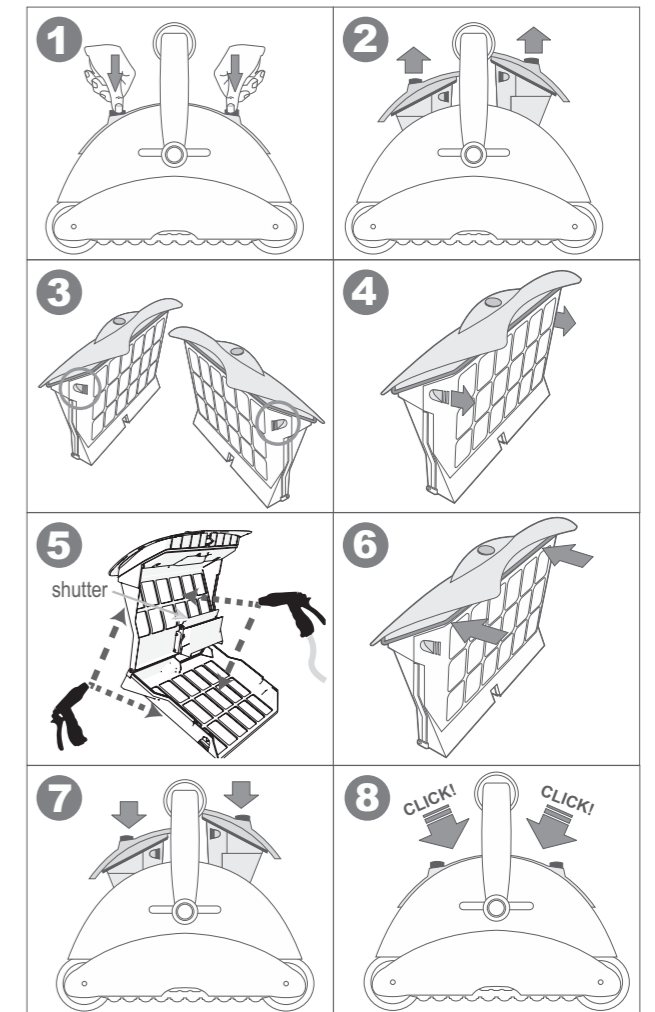
1. Ziehen Sie das Netzkabel aus der Steckdose.
2. Trennen Sie das Schwimmkabel von der Strom- und Steuereinheit.
3. Verteilen Sie das Schwimmkabel und lösen Sie sämtliche Verdrehungen im Kabel.
4. Waschen Sie den Innenraum des Reinigers mit frischem Wasser und lassen Sie ihn trocknen.
5. Rollen Sie das Schwimmkabel auf und legen Sie es auf den Reiniger.



VORSICHTS MASSNAHMEN ⚠

Rollen Sie das Schwimmkabel nicht auf dem Griff des Reinigers auf.

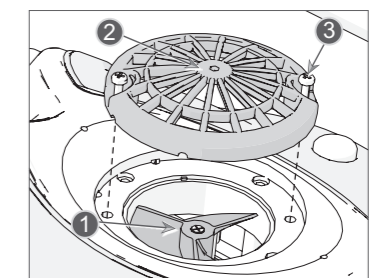
6. Lagern Sie die Reiniger-Komponenten in einem trockenen, geschlossenen Ort.
7. Überprüfen Sie, dass die Strom- und Steuereinheit keinem Wasser ausgesetzt ist.



7.3. ÜBERPRÜFEN DES WASSERAUSLASS-PROPELLERS

Es wird empfohlen, regelmäßig Verunreinigungen und Haare vom Propeller des Wasserauslasses zu entfernen:

1. Entfernen Sie die Schrauben (3), um die Abdeckung des Wasserauslasses (2) zu lösen.
2. Entfernen Sie die Abdeckung des Wasserauslasses
3. Reinigen Sie diesen von Haaren, Schmutz oder Verunreinigungen.
4. Prüfen Sie nach, dass der Propeller (1) nicht beschädigt ist.
5. Bringen Sie die Abdeckung (2) wieder an und befestigen Sie diese mit den Schrauben (3).



AUTOMATISCHER SCHWIMMBECKENREINIGER ART CYCLONE

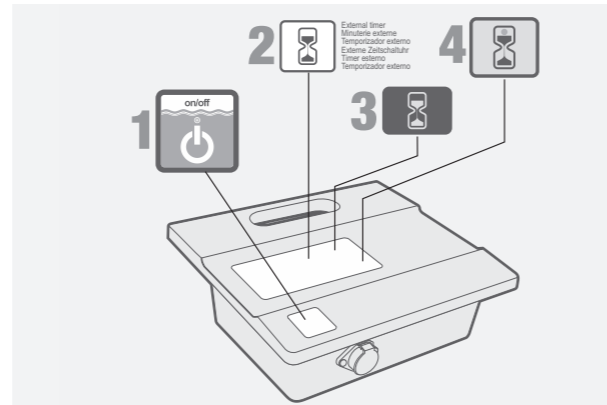
8. PROGRAMMIEROPTIONEN

Dieses Kapitel bespricht die Programmieroptionen. Überspringen Sie dieses Kapitel, wenn Ihr Modell nicht programmierbar ist, oder wenn der robotische Reiniger bereits programmiert ist.

8.1. STEUERKONSOLE

Die Steuerkonsole besteht aus:

- On/Off (Ein-/Ausschalttaste) (1) – startet und stoppt den Betrieb des robotischen Reinigers.
- Funktionsbeschreibung (2) – beschreibt die Funktion
- Steuertasten (3) – blau markiert, aktivieren die ausgewählte Funktion.
- Status-Anzeige (4) – LED-Anzeige leuchtet auf, um die ausgewählte Option oder den Reiniger-Zustand anzuzeigen



Aquacontrol

check filter
chèque filtre
filter überprüfen
controllare il sacchetto filtrante
revise el filtro

cleaning time
temps de nettoyage
reinigungszeit
tempo di pulizia
tiempo de limpieza

2.0H

1.5H

SPS 100

Aquacontrol

- Cleaning program
Mode nettoyage
Programa de limpieza
Reinigungsprogramm
Programma di pulizia
Programa de limpeza
- Internal timer
Minuterie interne
Temporizador interno
Interne Zeitschaltuhr
Timer interno
Temporizador interno
- Check filter
Vérifiez le filtre
Revise el filtro
Filter überprüfen
Controllare il sacchetto filtrante
Verifique o Filtro
- External timer
Minuterie externe
Temporizador externo
Externe Zeitschaltuhr
Timer externo
Temporizador externo

PROGRAM 03	96h	
PROGRAM 02	72h	
PROGRAM 01	48h	

SPS 200

AUTOMATISCHER SCHWIMMBECKENREINIGER ART CYCLONE

Aquacontrol

- Swivel
Pivot
Swivel
Drehlager
Manopola di disattorcigliamento
Swivel
- Cleaning program
Mode nettoyage
Programa de limpieza
Reinigungsprogramm
Programma di pulizia
Programa de limpeza
- Internal timer
Minuterie interne
Temporizador interno
Interne Zeitschaltuhr
Timer interno
Temporizador interno

Check filter
Vérifiez le filtre
Revise el filtro
Filter überprüfen
Controllare il sacchetto filtrante
Verifique o Filtro

External timer
Minuterie externe
Temporizador externo
Externe Zeitschaltuhr
Timer externo
Temporizador externo

HIGH	PROGRAM 03	96h	
NORMAL	PROGRAM 02	72h	
	PROGRAM 01	48h	

SPS 300

Aquacontrol

- Auto detect
Auto detection
Auto detección
Automatische Erkennung
Auto diagnosi
Detección automática
- Swivel
Pivot
Swivel
Drehlager
Manopola di disattorcigliamento
Swivel
- Internal timer
Minuterie interne
Temporizador interno
Interne Zeitschaltuhr
Timer interno
Temporizador interno
- External timer
Minuterie externe
Temporizador externo
Externe Zeitschaltuhr
Timer externo
Temporizador externo

Pool shape
Forme de piscine
Forme de la piscine
Beckenform
Forma piscine
Forma da piscina

Cleaning program
Mode nettoyage
Programa de limpieza
Reinigungsprogramm
Programma di pulizia
Programa de limpeza

Check filter
Vérifiez le filtre
Revise el filtro
Filter überprüfen
Controllare il sacchetto filtrante
Verifique o Filtro

HIGH	PROGRAM 03	96h	
NORMAL	PROGRAM 02	72h	
	PROGRAM 01	48h	

SPS 400

Aquacontrol

- Auto detect
Auto detection
Auto detección
Automatische Erkennung
Auto diagnosi
Detección automática
- Swivel
Pivot
Swivel
Drehlager
Manopola di disattorcigliamento
Swivel
- Cleaning Level
Niveau de Nettoyage
Nível de Limpeza
Reinigungsstufe
Livello di Pulizia
Nível de Limpeza
- Delay
Retard
Retrasar
Verzögerung
Ritardo
Atrasar

Pool shape
Forme de piscine
Forme de la piscine
Beckenform
Forma piscine
Forma da piscina

Cleaning program
Mode nettoyage
Programa de limpieza
Reinigungsprogramm
Programma di pulizia
Programa de limpeza

Check filter
Vérifiez le filtre
Revise el filtro
Filter überprüfen
Controllare il sacchetto filtrante
Verifique o Filtro





HIGH	PROGRAM 03		
NORMAL	PROGRAM 02		
	PROGRAM 01		

SPS 500

AUTOMATISCHER SCHWIMMBECKENREINIGER ART CYCLONE

8.2. EINBLENDUNGSTASTEN

MODELL

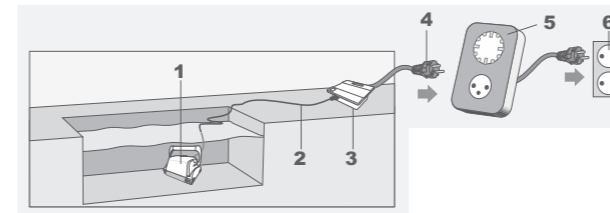
100/200 300/400 500		Filter überprüfen – Das Aufleuchten der Lampe bedeutet, dass der Filterbeutel ordnungsgemäß entfernt, gereinigt und wieder in den Roboter eingesetzt werden muss, um effizient zu arbeiten. Bei den Modellen 300, 400, 500 hört der robotische Reiniger auf die Wände hochzuklettern, sobald "Filter überprüfen" aufleuchtet.
100		Reinigungszeit - Zeit, die zur Reinigung des Schwimmbeckens benötigt wird. Drücken Sie die Taste, um die gewünschte Zeit einzustellen. Ein rotes Licht wird Ihre Wahl anzeigen. Diese Funktion ist nur wählbar, wenn das Netzteil im Standby-Modus befindet
200 300/400		Interner Timer - Automatische Betriebsoption: Alle 48 Stunden Alle 72 Stunden Alle 96 Stunden
200/300		Auswahl für Reinigungsprogramm: Programm 01 – 1 Stunde für Boden- und Wandreinigung. Programm 02 – 1,5 Stunden für Boden- und Wandreinigung. Programm 03 – 2 Stunden für Boden- und Wandreinigung.
400		Auswahl für Reinigungsprogramm: Programm 01 – 1,5 Stunden für Boden Programm 02 – 2 Stunden für Boden- und Wandreinigung. Programm 03 – 2,5 Stunden für Boden- und Wandreinigung.
500		Auswahl für Reinigungsprogramm: Program 01 – 2 Stunden für Boden Program 02 – 4 Stunden für Boden- und Wandreinigung. (auf einigen Modellen ist keine Wandreinigungsfunktion verfügbar) Program 03 – 5 Stunden für Boden- und Wandreinigung. (auf einigen Modellen ist keine Wandreinigungsfunktion verfügbar)
200 300/400		Externer Timer – Diese Funktion ermöglicht dem Endbenutzer, den Reinigungsplan mithilfe eines externen Timers (separat verkauft) zu programmieren. Das Drücken dieser Taste aktiviert und deaktiviert diese Funktion.
300/400 500		Swivel – stellt die Anzahl der Wenden im Schwimmbecken für den Roboter passend ein. Normal – Normalbetrieb High – Verschiedene Wendezahlen
400/500		Auto-Detect (autom. Erkennung): diese Funktion verhindert, dass der Roboter nicht an Hindernissen im Schwimmbecken stecken bleibt wie Hauptabflussleitungen, Stufen, Leitern usw. Drücken Sie diese Taste, um eine der folgenden Optionen zu wählen:  Auto-Detect - OFF (AUS). Diese Option sollte ausgewählt werden, wenn Ihr Schwimmbeckenreiniger in der Mitte des Schwimmbeckens die Richtung ändert, ohne auf Hindernisse zu treffen.  Auto-Detect - ON (AN). Der Schwimmbeckenreiniger sollte die Richtung ändern, sobald er auf Hindernisse trifft. Wählen Sie diese Option, wenn im Schwimmbecken Hindernisse vorhanden sind, so wie bei Bodenreinigungssystemen, Hauptabflussleitungen und Leitern.
400/500		Schwimmbeckenumriss: Damit kann der Roboter das effizienteste Reinigungsmuster für das ausgewählte Schwimmbeckenformat berechnen. Drücken Sie die Taste, um die passendste Zeichnung auszuwählen, die zum Umriss des Schwimmbeckens passt. Ein rotes Licht zeigt Ihre Auswahl an.
500		Reinigungsstufe – Ändern Sie die Reinigungsleistung  Schnell: Auswählen, wenn Ihr Schwimmbecken gering verschmutzt ist.  Regelmäßig: Für die tägliche Wartung auswählen.  Gründlich: Auswählen, wenn Ihr Schwimmbecken stark verschmutzt ist.
500		Verzögerung Wenn die Option eingeschaltet ist, fängt der Roboter nach 2 Stunden Verzögerung an zu arbeiten. Mit dieser Funktion können Verunreinigungen und Staub auf den Boden sinken, bevor der Roboter mit der Arbeit anfängt.

AUTOMATISCHER SCHWIMMBECKENREINIGER ART CYCLONE

8.3. VERWENDUNG EINES EXTERNEN TIMERS

(Optional, sollte separat gekauft werden)

Ein externer Timer kann zur automatischen Aktivierung des Reinigers für eine voreingestellte Zeit verwendet werden. Der externe Timer sollte zwischen der Steckdose und der Strom- und Steuereinheit angeschlossen sein.



1. Unit
2. Kabel
3. Stromversorgung
4. Trafostecker
5. Externe Timer (sollte separat gekauft werden)
6. Auslauf

9. FEHLERBESEITIGUNG

DER REINIGER IST NICHT ANGESCHALTET (ON).

Die Steckdose wird nicht mit Strom versorgt.

1. Trennen Sie den Reiniger von der Strom- und Steuereinheit.
2. Trennen Sie die Stromversorgung von der Steckdose, warten Sie 30 Sekunden und schließen Sie diese erneut an.
3. Schalten Sie die Stromzufuhr an (ON). Falls nicht aktiviert, schließen Sie das Gerät an eine andere Steckdose an.

Das Schwimmkabel ist nicht ordnungsgemäß an die Strom- und Steuereinheit angeschlossen.

Schließen Sie das Schwimmkabel erneut an die Strom- und Steuereinheit an.

Hindernis im Antriebssystemdes Reinigers.

1. Drehen Sie den Reiniger vorsichtig um, um die Unterseite zu prüfen.
2. Drehen Sie die Antriebsführungen und Reinigungsbürsten per Hand. Sie sollten sich drehen, aber nicht locker sein.
3. Reinigen und entfernen Sie ggf. Hindernisse und Verunreinigungen.

Der Propeller sitzt aufgrund von Haaren oder Verunreinigungen fest.

Überprüfen Sie, ob der Propeller beschädigt ist oder gereinigt werden muss (siehe "Überprüfen des Wasserauslass-Propellers").

DER REINIGER BEWEGT SICH, ABER PUMPT KEIN WASSER:

Die Filter sind schmutzig.

1. Entfernen Sie die Filter.
2. Lassen Sie den robotischen Reiniger ohne Filter im Schwimmbecken laufen. Bei einwandfreier Funktionstüchtigkeit ersetzen oder reinigen Sie die Filter sorgfältig.

Der Propeller sitzt aufgrund von Haaren oder Verunreinigungen fest oder ist beschädigt.

Überprüfen Sie, ob der Propeller beschädigt ist oder gereinigt werden muss (siehe "Überprüfen des Wasserauslass-Propellers").

DER REINIGER PUMPT WASSER, ABER BEWEGT SICH NICHT.

Hindernis im Antriebssystemdes Reinigers.

1. Drehen Sie den Reiniger vorsichtig um, um die Unterseite zu prüfen.
2. Drehen Sie die Antriebsführungen und Reinigungsbürsten per Hand. Sie sollten sich drehen, aber nicht locker sein.
3. Reinigen und entfernen Sie ggf. Hindernisse und Verunreinigungen.

REINIGER STARTET UND SCHALTET NACH EINER KURZEN ZEIT AB.

Die Filter sind schmutzig.

1. Entfernen Sie die Filter.
2. Lassen Sie den robotischen Reiniger ohne Filter laufen. Bei einwandfreier Funktionstüchtigkeit ersetzen oder reinigen Sie die Filter sorgfältig.

Der Propeller sitzt aufgrund von Haaren oder Verunreinigungen fest oder ist beschädigt.

1. Entfernen Sie die oberen Schrauben am oberen Auslass.
2. Überprüfen Sie, ob der Propeller beschädigt ist oder gereinigt werden muss.

Hindernis im Antriebssystemdes Reinigers.

1. Drehen Sie den Reiniger vorsichtig um, um die Unterseite zu prüfen.
2. Drehen Sie die Antriebsführungen und Reinigungsbürsten per Hand. Sie sollten sich drehen, aber nicht locker sein.
3. Reinigen und entfernen Sie ggf. Hindernisse und Verunreinigungen.

DER REINIGER SAMMELT KEINEN SCHMUTZ AUF.

Die Filter sind schmutzig oder haben Löcher.

Reinigen Sie nach Bedarf und überprüfen Sie, ob keine Löcher in den Filtern sind.

Der Propeller sitzt aufgrund von Haaren oder Verunreinigungen fest oder ist beschädigt.

Überprüfen Sie, ob der Propeller beschädigt ist oder gereinigt werden muss (siehe "Überprüfen des Wasserauslass-Propellers").

AUTOMATISCHER SCHWIMMBECKENREINIGER ART CYCLONE

Die Saugöffnung ist nicht nahe genug am Schwimmbeckenboden.

Ziehen Sie die Saugöffnung HERAUS (siehe "Einstellung der Saughöhe").

VERUNREINIGUNG KOMMT AUS DEM GERÄT, WENN ES AUS DEM SCHWIMMBECKEN ENTFERNT WIRD.

Der Filterverschluss ist beschädigt oder fehlt.

Öffnen Sie die Filter und überprüfen Sie, ob der Filterverschluss richtig funktioniert und nicht beschädigt ist (siehe "Reinigung der Filter")

Löcher in den Filtern.

Öffnen Sie die Filter und überprüfen Sie, ob keine Löcher im Filtersieb sind (siehe "Reinigung der Filter")

Der Deckel des Unterteils ist nicht richtiggeschlossen.

Achten Sie darauf, dass der Deckel des Unterteils richtig geschlossen ist.

DER REINIGER SCHEINT NICHT DAS KOMPLETTE SCHWIMMBECKEN ZU REINIGEN.

Die Filter sind schmutzig. Reinigen Sie die Filter.

Die Länge des Schwimmkabels im Wasser ist nicht ausreichend, um das andere Ende des Schwimmbeckens zu erreichen, oder das Kabel ist verwickelt.

1. Überprüfen Sie, ob die Länge des Schwimmkabels im Wasser ausreichend ist, um das andere Ende des Schwimmbeckens zu erreichen.
2. Achten Sie darauf, dass das Schwimmkabel ordnungsgemäß ausgebreitet und entwirrt ist.

Der Winkel des Gleitgriffes beeinträchtigt die Bewegung des Reinigers.

Erhöhen Sie den Diagonalwinkel des Gleitgriffs (siehe "Einstellung des Gleitgriffs").

Der pH-Wert des Schwimmbeckens ist falsch.

Achten Sie darauf, dass der pH-Wert zwischen 7,2 und 7,6 liegt.

Der Chlorgehalt ist falsch.

Überprüfen Sie die Chlorbehandlung des Wassers und korrigieren diese bei Bedarf (Entfernen Sie während der Behandlung den Reiniger aus dem Schwimmbecken).

Der Propeller sitzt aufgrund von Haaren oder Verunreinigungen fest oder ist beschädigt.

1. Entfernen Sie die oberen Schrauben am oberen Auslass.
2. Überprüfen Sie, ob der Propeller beschädigt ist oder gereinigt werden muss.

Hindernis im Antriebssystem des Reinigers.

1. Drehen Sie den Reiniger vorsichtig um, um die Unterseite zu prüfen.
2. Drehen Sie die Antriebsführungen und Reinigungsbürsten per Hand. Sie sollten sich drehen, aber nicht locker sein.
3. Reinigen und entfernen Sie ggf. Hindernisse und Verunreinigungen.

DAS GERÄT STEIGT NICHT DIE WÄNDE HOCH.

Der Reiniger steigt nicht die Schwimmbeckenwände hoch.

1. Überprüfen Sie, ob Ihr robotischer Reiniger nur ein Modell für die Bodenreinigung ist.
2. Prüfen Sie nach, dass PI, nur für Bodenreinigung, ist nicht auf der Strom- und Steuereinheit ausgewählt (siehe "Programmierung des robotischen Reinigers").

Die Filter sind schmutzig. Reinigen Sie die Filter.

Der Propeller sitzt aufgrund von Haaren oder Verunreinigungen fest oder ist beschädigt.

Überprüfen Sie, ob der Propeller beschädigt ist oder gereinigt werden muss (siehe "Überprüfen des Wasserauslass-Propellers").

Der pH-Wert ist falsch.

Achten Sie darauf, dass der pH-Wert zwischen 7,2 und 7,6 liegt.

Der Chlorgehalt ist falsch.

Überprüfen Sie die Chlorbehandlung des Wassers (entfernen Sie während der Behandlung den Reiniger aus dem Schwimmbecken).

Die Wassertemperatur ist nichtoptimal.

Empfohlene Temperatur liegt zwischen 22 °C - 32 °C (72 °F - 90 °F).

DAS KABELHAT SICH VERWICKELT.

Die Filter sind schmutzig. Reinigen Sie die Filter.

Der Deckel des Unterteils ist nicht richtiggeschlossen.

Achten Sie darauf, dass der Deckel des Unterteils richtig geschlossen ist.

Das Kabel ist nicht ausgebreitet, bevor der Reiniger im Schwimmbecken abgesetzt wurde.

Achten Sie darauf, dass das Schwimmkabel ordnungsgemäß ausgebreitet und entwirrt ist, bevor Sie den Reiniger in Betrieb setzen.

Die Kabellänge ist im Wasser zu lang.

Überprüfen Sie, ob die Länge des Kabels im Wasser der Länge der Schwimmbeckendiagonale plus 2 Meter entspricht.

Der Propeller sitzt aufgrund von Haaren oder Verunreinigungen fest oder ist beschädigt

Überprüfen Sie, ob der Propeller beschädigt ist oder gereinigt werden muss (siehe "Überprüfen des Wasserauslass-Propellers").

DIE FERNBEDIENUNG FUNKTIONIERT NICHT.

Die Batterie ist leer. LED blinkt oder ist abgeschaltet (OFF).

Überprüfen Sie die Batterie, indem Sie eine der Tasten drücken. Das rote Licht auf der Fernbedienung blinkt oder leuchtet nicht ständig auf, wenn die Batterie leer ist. Setzen Sie sich mit einem Fachhändler oder Kundendienst in Verbindung.

AUTOMATISCHER SCHWIMMBECKENREINIGER ART CYCLONE

10. FERNBEDIENUNG

Dieses Kapitel bespricht die Bedienung der optionalen Fernbedienung. Die Fernbedienung ist in einigen Modellen beigelegt.

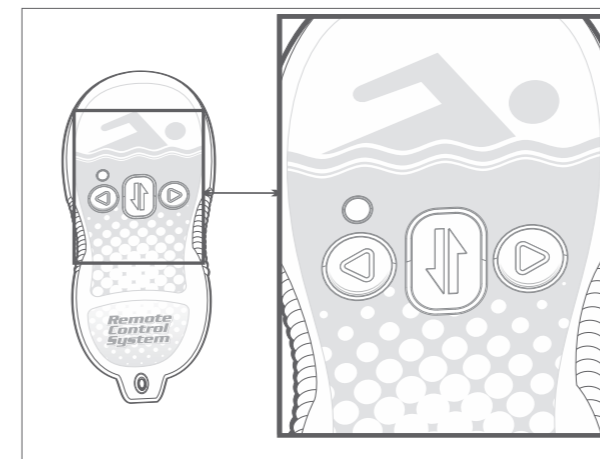
10.1. ÜBERSICHT FERNBEDIENUNG

Die Fernbedienung ist eine optionale Zusatzeinrichtung, die den robotischen Reiniger über ferngesteuerte Befehlstasten steuern kann. Wenn Sie die Fernbedienungstasten drücken, wird ein Funksignal an die Strom- und Steuereinheit übermittelt. Dieses Signal wird in einen Befehl umgewandelt und an den robotischen Reiniger über das Schwimmkabel gesendet.

10.2. VERWENDUNG DER FERNBEDIENUNG

1. Drücken Sie die rechte Taste (3), um den robotischen Reiniger nach rechts zu drehen. Der robotische Reiniger dreht sich solange nach rechts, bis die Taste losgelassen wird.
2. Drücken Sie die linke Taste (1), um den robotischen Reiniger nach links zu drehen. Der robotische Reiniger dreht sich solange nach links, bis die Taste losgelassen wird.
3. Drücken Sie die Taste Vorwärts/Rückwärts (2), um den robotischen Reiniger anzuhalten und seine Bewegungsrichtung zu ändern..

Die Fernbedienungs-LED leuchtet nach jedem Befehl auf. Wenn die LED-Anzeige nicht reagiert, ersetzen Sie die Batterie.



11. TRANSPORTBEHÄLTER (OPTIONAL)

11.1. OVERVIEW

Der Transportbehälter ist ein optionales Zubehörteil, um leicht und einfach den robotischen Reiniger, das Schwimmkabel und die Strom- und Steuereinheit von Ort zu Ort zu bewegen.

11.2. MONTAGE DES TRANSPORTBEHÄLTERS

Um den Transportbehälter zu montieren, brauchen Sie einen Standardschraubendreher und einen 8 mm Schraubenschlüssel.

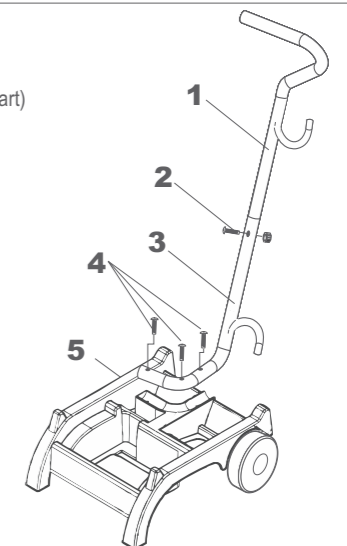
Anbringung des Transportbehältergriffs

1. Befestigen Sie das Unterteil des Griffs (3) an den Rahmen des Transportbehälters (5) mit drei Schrauben (4) und Muttern.
2. Befestigen Sie das Oberteil des Griffs (1) an das Unterteil (3) mit einer Schraube (2) und einer Mutter.

11.3. LADEN DES ROBOTISCHEN REINIGERS AUF DEN TRANSPORTBEHÄLTER

1. Stellen Sie den Reiniger auf den Sockel des Transportbehälters.
2. Rollen Sie das Schwimmkabel auf und legen Sie es auf den Reiniger.
3. Legen Sie die Strom- und Steuereinheit oben auf der Schwimmkabel-Wicklung.

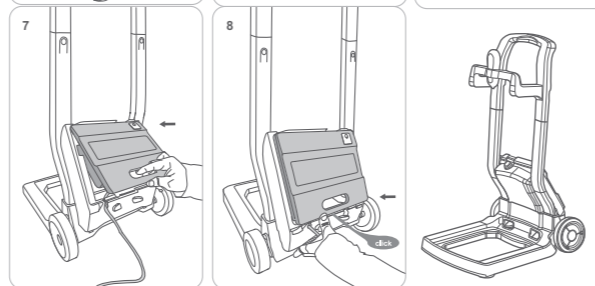
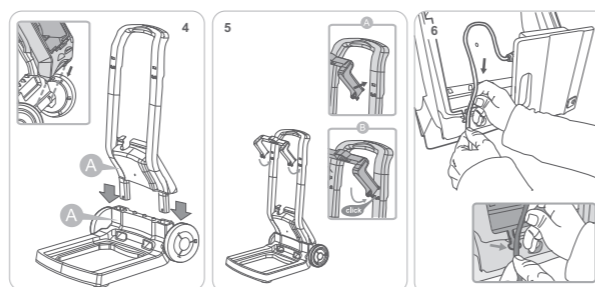
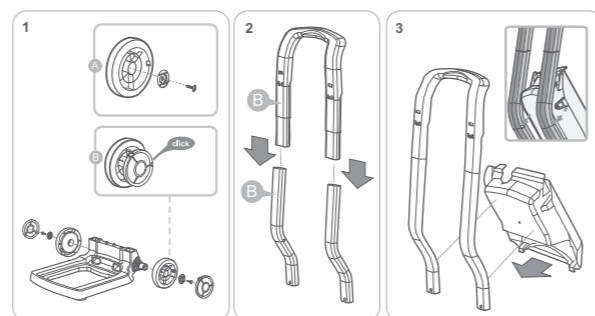
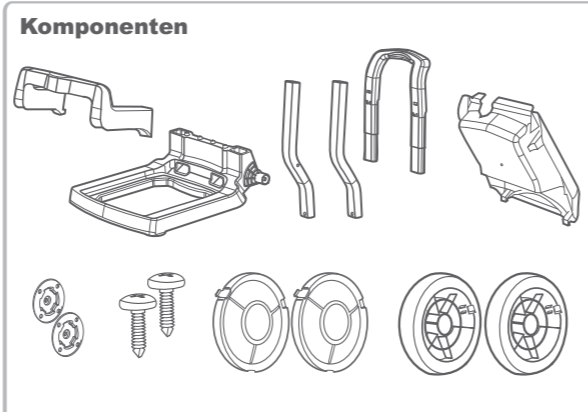
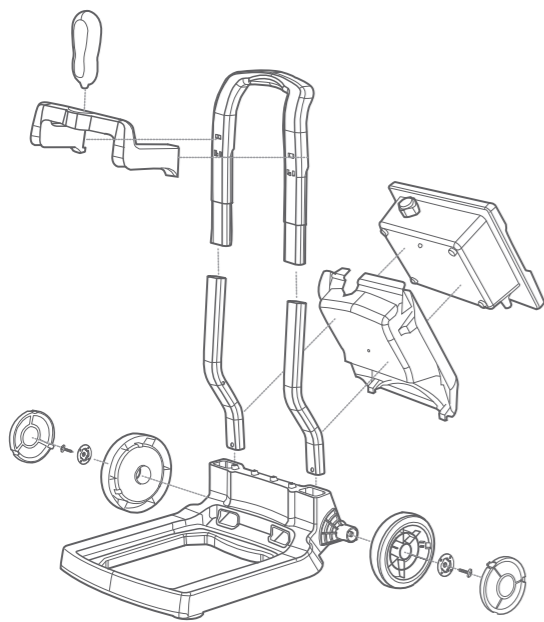
1. Handle (Top Part)
2. Handle Screws
3. Handle (Bottom Part)
4. Frame screws
5. Caddy Frame



AUTOMATISCHER SCHWIMMBECKENREINIGER ART CYCLONE

12. TRANSPORTWAGEN (OPTIONAL)

Montage des Transportwagens



12.1. OVERVIEW

Der Transportwagen ist ein optionales Zubehörteil, um leicht und einfach den robotischen Reiniger zu bewegen und bietet einen Montageort für Strom- und Steuereinheit.

12.2. MONTAGE DES TRANSPORTWAGENS:

1. Befestigen Sie die Räder an beide Seiten des Fahrwerks.
2. Befestigen Sie jedes Rad mit einer Schraube und installieren Sie die Abdeckung.
3. Montieren Sie die zwei Abschnitte des Griffs.
4. Stecken Sie den Griff in das Fahrwerk hinein. Rasten Sie die unteren Laschen des Gehäuses der Strom- und Steuereinheit in das Fahrwerk ein.
5. Befestigen Sie den Fernbedienungshalter, indem Sie den oberen Teil in den Transportwagengriff stecken und den Halter nach unten drehen, bis der untere Teil einrastet.
6. Legen Sie das Kabel der Strom- und Steuereinheit in die Einkerbung des Fahrwerks.
7. Bringen Sie das Gehäuse der Strom- und Steuereinheit an, indem Sie die oberen Laschen in die Öffnungen im Griff einrasten.
8. Legen Sie den oberen Teil der Strom- und Steuereinheit ins Gehäuse und drücken Sie den unteren Teil nach unten, bis er im Fahrwerk einrastet.



ANMERKUNGEN

SOMMAIRE

1. GUIDE DE DÉMARRAGE RAPIDE	38
2. L'INSTALLATION DE FLOTTEURS	38
3. CONSIGNES DE SÉCURITÉ	39
4. INTRODUCTION	39
4.1 Présentation du système	39
4.2 Comment le robot nettoyeur débarrasse votre piscine des saletés	39
4.3 Conditions d'utilisation	40
5. COMPOSANTS	40
5.1 Robot nettoyeur	40
5.2 Module de commande et d'alimentation	40
5.3 Contenu de la caisse d'emballage	40
6. FONCTIONNEMENT	40
6.1 Avant la première utilisation	40
6.2 Placer le module de nettoyage dans l'eau	41
6.3 Démarrage du robot nettoyeur	42
6.4 Cycle de nettoyage	42
6.5 Arrêter le robot nettoyeur	42
6.6 Retirer le module de nettoyage de l'eau	42
7. ENTRETIEN ET RÉGLAGE	43
7.1 Nettoyage des filtres	43
7.2 Rangement du robot nettoyeur	43
7.3 Vérification de la sortie d'eau de l'hélice	43
8. PANNEAU DE COMMANDE	44
8.1 Boutons superposés	46
8.2 Utiliser une minuterie externe	47
9. DÉPANNAGE	47
10. TÉLÉCOMMANDE	49
10.1 Présentation de la télécommande	49
10.2 Utilisation de la télécommande	49
11. CADDY (EN OPTION)	49
11.1 Overview	49
11.2 Montage du caddy	49
11.3 Chargement du robot nettoyeur sur le caddy	49
12. CHARIOT "TROLLY" (EN OPTION)	50
12.1 Overview	50
12.2 Montage du chariot	50

Les erreurs et modifications techniques sont sujettes à changement, reproduction ainsi que duplication électronique uniquement avec notre autorisation écrite.

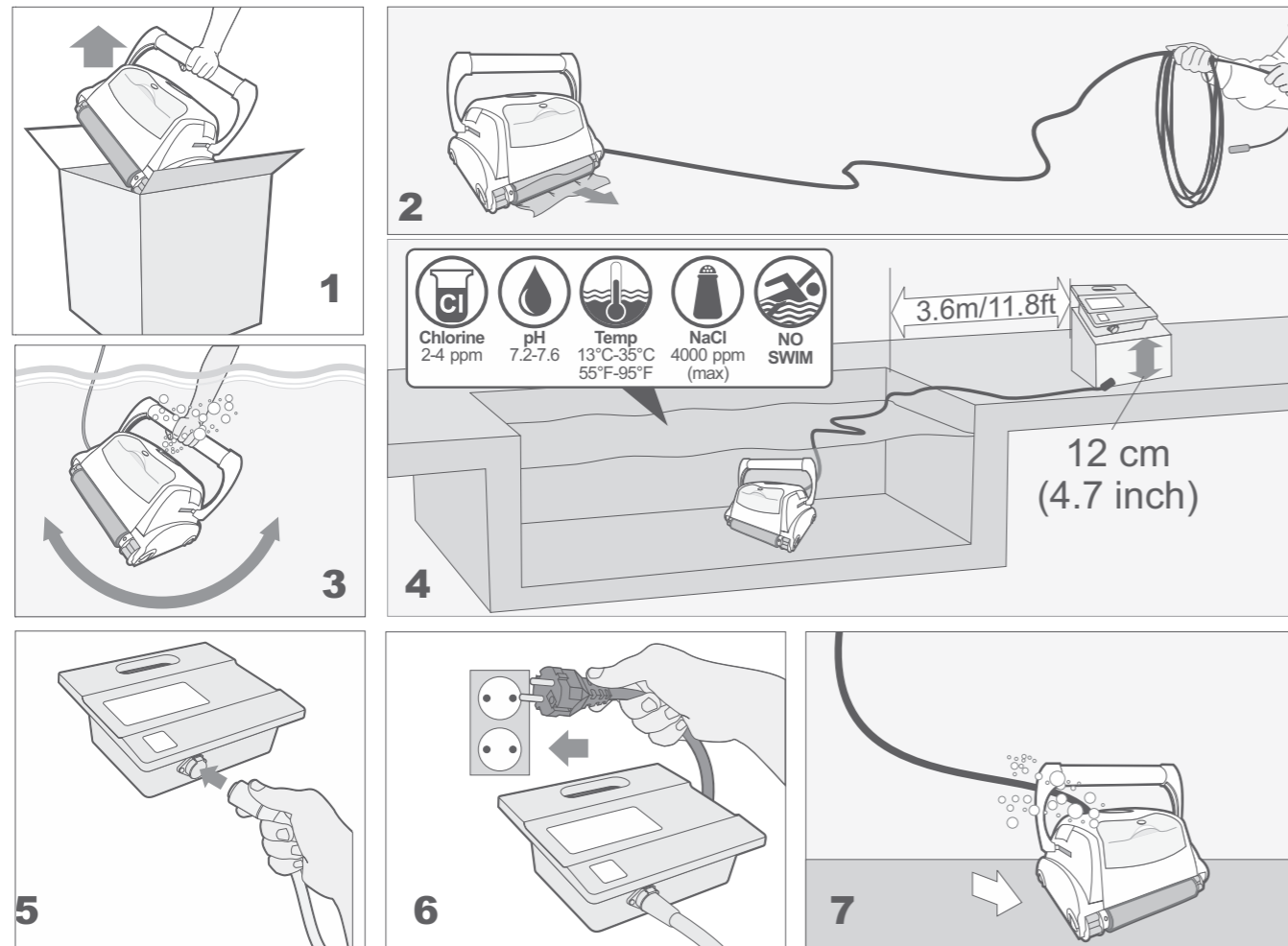
© NORSUP

Édition: 11.2020

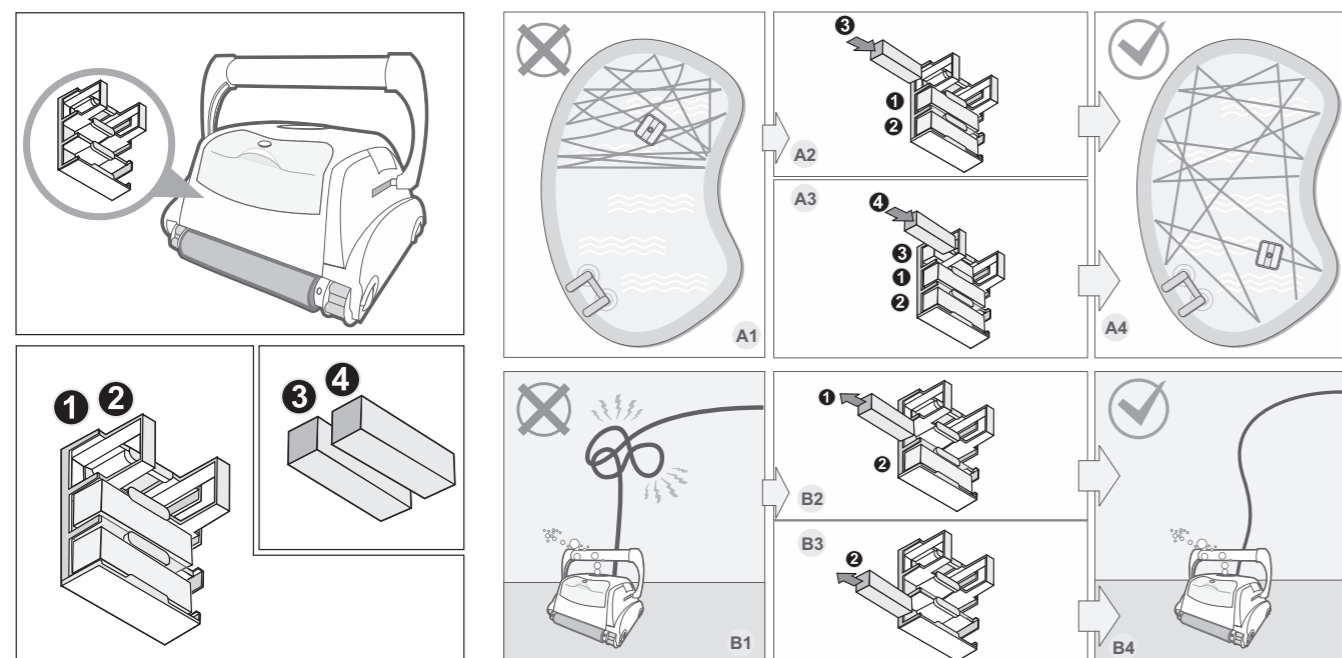


NETTOYEUR DE PISCINE TYPE CYCLONE

1. GUIDE DE DÉMARRAGE RAPIDE



2. L'INSTALLATION DE FLOTTEURS



NETTOYEUR DE PISCINE TYPE CYCLONE

3. CONSIGNES DE SÉCURITÉ

CONSIGNES DE SÉCURITÉ IMPORTANTES LIRE ET SUIVRE TOUTES LES INSTRUCTIONS

ATTENTION : Ne pas brancher le bloc d'alimentation à une prise de terre ou ne pas mettre le nettoyeur de piscine sur « MARCHÉ » s'il n'est pas totalement immergé dans l'eau. L'utilisation du nettoyeur hors de l'eau cause immédiatement de sérieux dégâts et se traduit par une perte de garantie.

Laisser le nettoyeur dans la piscine pendant 15 à 20 minutes à la fin de son cycle de nettoyage. Cela permettra aux moteurs de refroidir convenablement. Ne pas laisser le nettoyeur dans la piscine tout le temps. Rappelez-vous toujours de mettre l'alimentation sur « ARRÊT » et de débrancher la prise de courant avant de retirer le nettoyeur de la piscine.

AVERTISSEMENT

Le nettoyeur ne doit pas être utilisé lorsqu'il y a des gens dans l'eau. À utiliser dans une piscine uniquement

Note de sécurité

- L'appareil doit être alimenté par un dispositif différentiel à courant résiduel (DDR) ayant un fonctionnement nominal de courant résiduel ne dépassant pas 30 mA.
- Le raccordement au circuit de dérivation doit être compatible avec les règles de câblage locales et nationales (code de l'électricité).
- Une mauvaise manipulation de l'appareil peut entraîner des fuites de lubrifiants.
- Si le cordon d'alimentation est endommagé, il doit être remplacé par un agent de maintenance du fabricant ou une personne qualifiée et formée afin d'éviter les dangers.

Cet appareil n'est pas destiné à être utilisé par des personnes (y compris les enfants) dont les capacités physiques, sensorielles ou mentales sont réduites, ou qui manquent d'expérience et de connaissances, à moins qu'elles n'aient bénéficié de surveillance ou d'instructions concernant l'utilisation de l'appareil de la part d'une personne responsable de leur sécurité. Les enfants doivent être surveillés pour s'assurer qu'ils ne jouent pas avec l'appareil.

AVERTISSEMENT

un interrupteur de défaut à la terre (GFCI-USA) ou un dispositif différentiel à courant résiduel (DDR-Europe) doit être installé pour protéger votre prise électrique et éviter tout risque d'électrocution.

CONSERVEZ CES INSTRUCTIONS

4. INTRODUCTION

4.1 PRÉSENTATION DU SYSTÈME

Le robot nettoie le fond et les parois de la piscine pour collecter les impropres et les débris dans ses filtres internes. Le présent manuel explique comment faire fonctionner le robot nettoyeur, y compris les procédures de nettoyage, d'entretien et de stockage.

REMARQUE

Le présent manuel passe en revue différents modèles de robots nettoyeurs. Les composants varient selon le type de modèle.

4.2 Comment le robot nettoyeur débarrasse votre piscine des saletés

Une fois placé dans la piscine et activé, le robot nettoyeur fonctionne selon le programme établi par le module de contrôle et d'alimentation. Il se déplace le long du fond et des parois de la piscine en couvrant toute la zone. Lorsque le robot nettoyeur a terminé son programme, il reste inactif au fond de la piscine.

REMARQUE

L'escalade des parois est en option. Lorsque la fonction d'escalade des parois est activée, le robot nettoyeur effectue cette manœuvre par intervalles conformément à son programme interne. La capacité d'un robot nettoyeur à franchir des escaliers en piscine est soumise à la géométrie et au matériau de l'escalier.

NETTOYEUR DE PISCINE TYPE CYCLONE

4.3 Conditions d'utilisation

Le robot nettoyeur est conçu pour être utilisé dans les piscines dans les conditions suivantes :

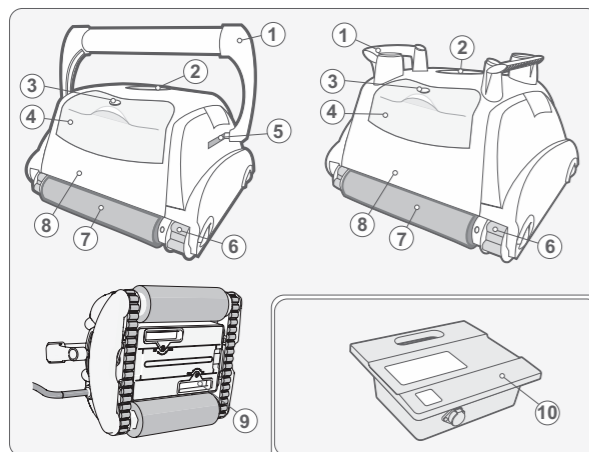
- Températures comprises entre 13°C et 35°C (55°F et 95°F), la température recommandée étant comprise entre 22°C et 32°C (72°F et 90°F).
- pH de l'eau : compris entre 7,2 et 7,6
- Niveau de chlore : la piscine est maintenue selon les instructions du fabricant de la piscine.

REMARQUE

L'entretien inadéquat de la piscine suivant les recommandations fournies sur les conditions de fonctionnement pourrait occasionner un mauvais fonctionnement du robot nettoyeur. Retirez le nettoyeur de l'eau lorsque vous réalisez un „traitement par choc chimique“ à l'eau de la piscine.

5. COMPOSANTS

5.1. ROBOT NETTOYEUR

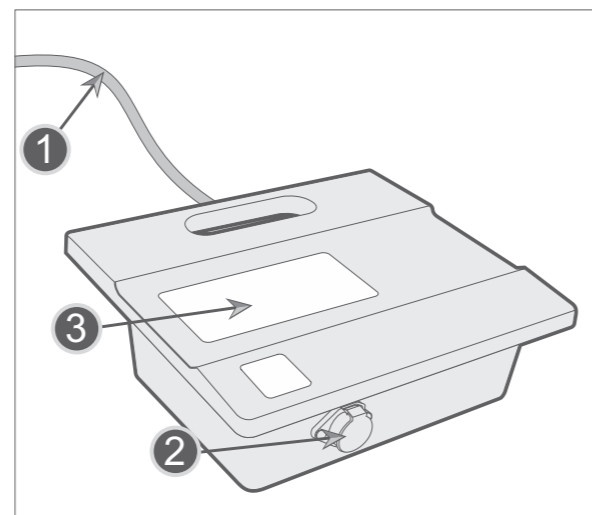


1. Manche
 2. Partie supérieure de la sortie
 3. Dispositif de déverrouillage du filtre
 4. Accès à la partie supérieure du filtre
 5. Poignée du dispositif de verrouillage
 6. Bande d'entraînement
 7. Brosse à récurer
 8. Corps de l'appareil
 9. Admission d'eau
 10. Module d'alimentation
- Optional
11. Télécommande
 12. "Trolley"
 13. "Caddy"
 14. Minuteur externe (fourni séparément).

5.2. MODULE DE COMMANDE ET D'ALIMENTATION

Le module de commande et d'alimentation est relié au robot nettoyeur via le câble flottant. L'appareil est alimenté par secteur (1) et produit du courant à basse tension et envoie des commande au module de nettoyage à travers la prise de courant (2). Le module

dispose d'un panneau de commande (3) avec diverses commandes pour faire fonctionner le robot nettoyeur.



5.3. CONTENU DE LA CAISSE D'EMBALLAGE

Le robot nettoyeur est emballé dans une boîte contenant :

- Robot nettoyeur et câble flottant
- Module de commande et d'alimentation
- Mode d'emploi

Selon le modèle acheté, les accessoires suivants peuvent être inclus dans l'emballage :

- Télécommande
- Caddy
- Chariot
- Accessoires supplémentaires

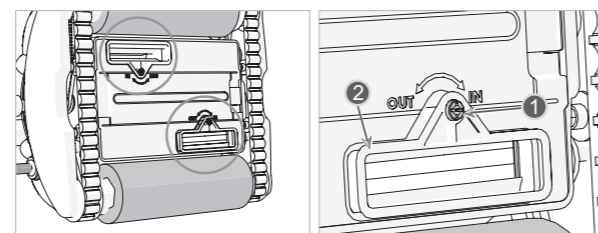
6. FONCTIONNEMENT

6.1. AVANT LA PREMIÈRE UTILISATION

Réglage de la hauteur d'aspiration Le positionnement de l'admission de l'aspiration (2) à proximité de la surface de la piscine augmente la puissance d'aspiration et la qualité du nettoyage. L'abaissement de l'admission d'aspiration peut causer des interférences avec les obstacles sur le fond de la piscine ou sur les parois de la piscine.

Utilisez un tournevis pour régler le bouton de position d'admission d'aspiration (1).

- IN - éloigne l'admission d'aspiration de la surface de la piscine et réduit la puissance d'aspiration.
- OUT - rapproche l'admission d'aspiration de la surface de la piscine et augmente la puissance d'aspiration.

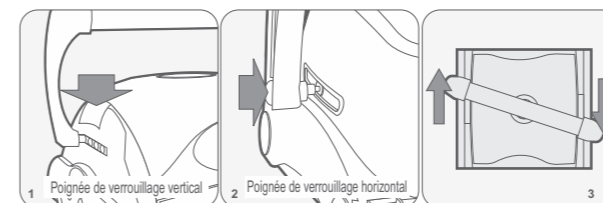


NETTOYEUR DE PISCINE TYPE CYCLONE

Réglage de la poignée flottante

Sur les modèles qui escaladent les parois, réglez la poignée flottante comme suit :

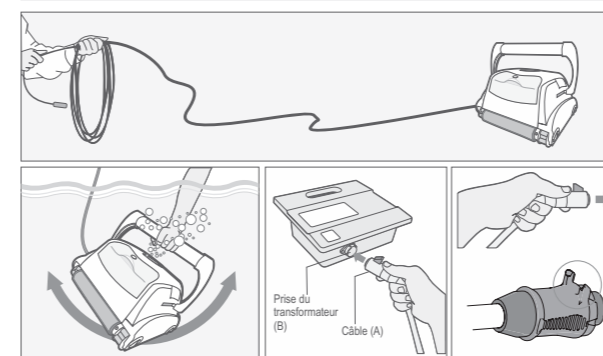
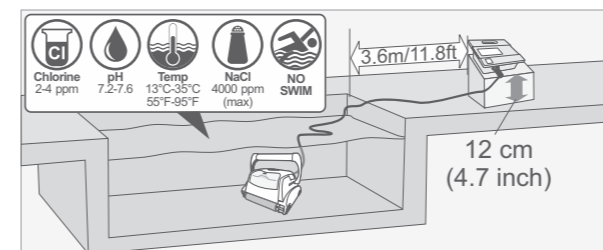
1. Appuyez sur le bouton de verrouillage (1 ou 2 selon le modèle) pour déverrouiller la poignée.
2. Placez la poignée (3) en diagonale à la position maximale.
3. Répétez les étapes 1 et 2 de l'autre côté du module de nettoyage.



Retirez les couvercles des brosses Le robot nettoyeur est livré avec un couvercle de protection sur les brosses à récurage. Retirez délicatement les couvercles de nylon des brosses à récurage.

MISE EN GARDE

N'utilisez pas un outil pointu pour retirer le couvercle car il pourrait endommager les brosses.



Placer le module d'alimentation et de contrôle

4. Placez le module de commande et d'alimentation à 3,6 mètres (11,8 pieds) au moins de la piscine et à 12 cm (4 pouces) au moins au-dessus de la surface.

MISE EN GARDE

Le module de commande et d'alimentation ne doit pas être exposé à l'eau ou directement aux rayons du soleil.

5. Défaitez les attaches en plastique des câbles flottants, qui sont utilisées pour fixer les câbles pendant le transport, en appuyant sur le fermoir plastique de l'attache.

Avant de placer le module de nettoyage dans la piscine

1. Assurez-vous qu'il n'y a personne dans la piscine.
2. Assurez-vous que les filtres sont propres.
3. Assurez-vous que les conditions de la piscine sont remplies ; (Voir la rubrique « Conditions de fonctionnement »).

6.2. PLACER LE MODULE DE NETTOYAGE DANS L'EAU

1. Déroulez le câble flottant. Il est recommandé d'étendre une longueur de câble égale à la diagonale de la piscine, plus deux mètres supplémentaires.
2. Placez le module de nettoyage dans la piscine.
3. Laissez le robot nettoyeur se poser au fond de la piscine. Attendez que le robot nettoyeur ait atteint le fond de la piscine pour déclencher le mettre en marche.
4. Déployez le câble flottant dans la piscine. Assurez-vous que seule la longueur de câble requise est déployée dans la piscine. Évitez les enroulements ou les torsions de câble. Déroulez une longueur de câble supplémentaire en dehors de la piscine près du module de commande et d'alimentation.
5. Branchez le câble flottant (A) à la prise (B) située sur le module de commande et d'alimentation.

MISE EN GARDE

L'utilisation du nettoyeur hors de l'eau cause de graves dommages immédiatement et se traduit par la perte de la garantie.

NETTOYEUR DE PISCINE TYPE CYCLONE

6.3. DÉMARRAGE DU ROBOT NETTOYEUR

1. Branchez le module de commande et d'alimentation à la prise secteur. Le voyant lumineux de fonctionnement (4) s'allume et le robot nettoyeur commence son programme de nettoyage. Si le module de commande et d'alimentation est déjà connecté à la prise secteur, le voyant lumineux de fonctionnement (5) clignote pour indiquer que le robot nettoyeur est en mode veille. Appuyez sur le bouton Marche (6). La voyant lumineux de fonctionnement s'allume et le robot nettoyeur commence son programme de nettoyage.

REMARQUE

Lorsque le voyant de vérification du filtre (3) est allumé, les filtres du robot nettoyeur doivent être nettoyés avant de placer le module de nettoyage dans la piscine. Le voyant de vérification du filtre est facultatif sur certains modèles.

6.4. CYCLE DE NETTOYAGE

Pendant le cycle de nettoyage, le robot nettoyeur :

- Se déplace dans le fond de la piscine et collecte les impuretés et les débris.
- Change de direction et suit automatiquement un parcours en fonction du programme sélectionné
- Gravit les parois de la piscine à une fréquence défini dans son programme interne.

REMARQUE

Le robot nettoyeur peut parfois s'immobiliser pendant quelques secondes. Il ne s'agit pas d'un cas de dysfonctionnement, mais cela fait partie du fonctionnement normal.

6.5. ARRÊTER LE ROBOT NETTOYEUR

Le robot nettoyeur passe automatiquement en mode veille après chaque cycle de nettoyage et le voyant lumineux de fonctionnement (5) se met à clignoter.

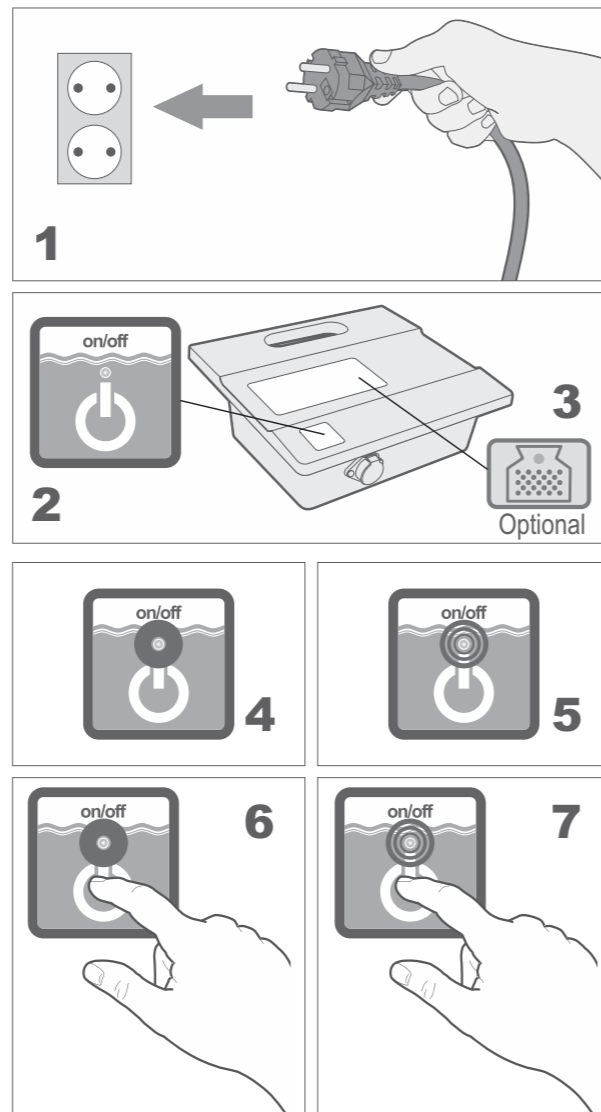
Pour arrêter le robot au cours d'un cycle de nettoyage, appuyez sur la touche « Marche » (7) une fois. La voyant lumineux de fonctionnement (7) se met à clignoter et le robot nettoyeur passe en mode veille.

6.6. RETIRER LE MODULE DE NETTOYAGE DE L'EAU

1. Débranchez le câble flottant du module de commande et d'alimentation.
2. Tirez sur le câble flottant pour rapprocher le module de nettoyage jusqu'à ce qu'il soit possible de saisir la poignée par la main.
3. Utilisez la poignée, soulevez le module de nettoyage pour le retirer de la piscine.

ATTENTION:

N'utilisez pas le câble flottant pour sortir le module de nettoyage de l'eau.



NETTOYEUR DE PISCINE TYPE CYCLONE

7. ENTRETIEN ET RÉGLAGE

7.1. NETTOYAGE DES FILTRES

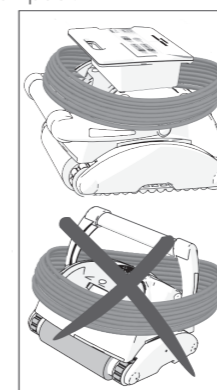
Les deux filtres doivent être nettoyés après chaque cycle de nettoyage.

1. Libérez le filtre et délogez-le du module de nettoyage. (1), (2)
2. Tirez sur la porte du boîtier de filtre pour l'ouvrir. (3), (4)
3. Essorez l'eau vers l'extérieur du filtre, puis vers l'intérieur pour nettoyer toutes les impuretés et les débris. (5)
4. Vérifiez que le petit volet plastique (2) est en place et intact. Fermez le filtre. (6)
5. Logez le filtre dans son boîtier jusqu'à ce qu'un déclic se fasse entendre pour le fixer. (7), (8)

7.2. RANGEMENT DU ROBOT NETTOYEUR

Suivez les consignes ci-dessous pour ranger le robot nettoyeur lorsque vous ne l'utilisez pas :

1. Débranchez le cordon d'alimentation de la prise secteur.
2. Débranchez le câble flottant du module de commande et d'alimentation.
3. Déroulez le câble flottant et redressez toutes les torsions.
4. Lavez l'intérieur du module de nettoyage à l'aide d'eau fraîche et laissez sécher.
5. Enroulez le câble flottant et placez-le sur le module de nettoyage.



ATTENTION

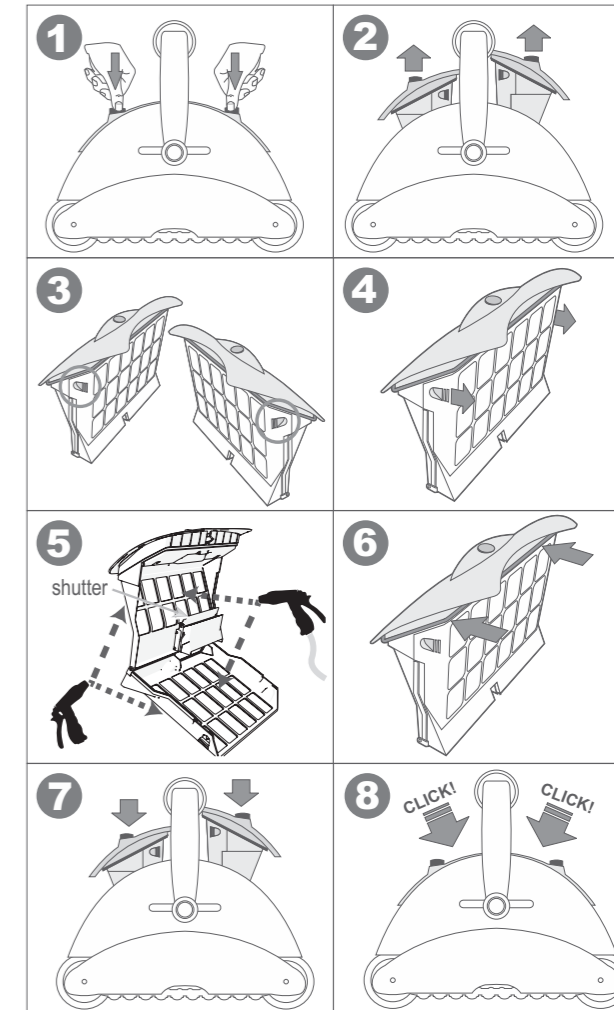
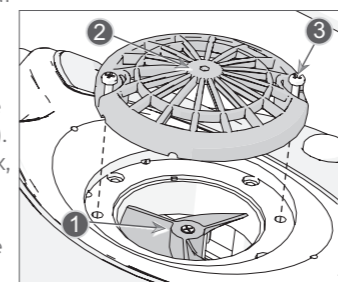
N'enroulez pas le câble flottant sur la poignée du module de nettoyage.

6. Rangez les composants du robot nettoyeur dans un endroit sec et fermé.
7. Vérifiez que le module de commande et d'alimentation n'est pas exposé à l'eau.

7.3. VÉRIFICATION DE LA SORTIE D'EAU DE L'HÉLICE

Il est recommandé de périodiquement nettoyer les débris et les cheveux de l'hélice de sortie d'eau :

1. Retirez les vis (3) qui maintiennent le couvercle de la sortie d'eau (2).
2. Retirez le couvercle de la sortie d'eau (2).
3. Enlevez les cheveux, les impuretés ou les débris.
4. Vérifiez que l'hélice (1) est intacte.
5. Remplacez le couvercle (2) et le fixez-le avec les vis (3).



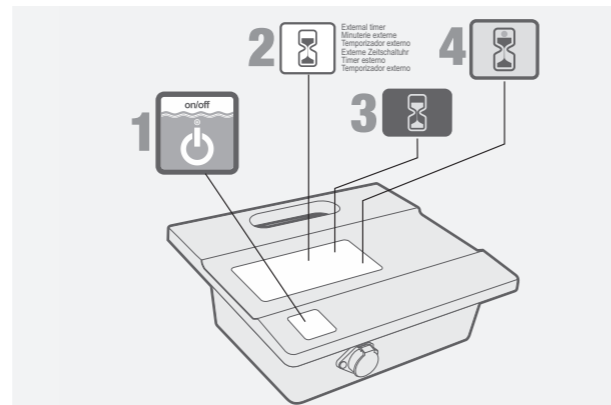
NETTOYEUR DE PISCINE TYPE CYCLONE

8. PANNEAU DE COMMANDE

Ce chapitre traite des options de programmation. Sautez le chapitre si votre modèle n'est pas programmable ou si le robot-nettoyeur est déjà programmé.

Le panneau de commande se compose des éléments suivants :

- Bouton d'alimentation (1) – met le robot nettoyeur en marche ou l'arrête.
- Description du fonctionnement (2) - décrit le fonctionnement
- Les boutons de commande (3) – de couleur bleue, ils permettent d'opérer le choix de la fonction correspondante.
- Affichage de l'état (4) – le voyant lumineux s'allume pour afficher l'option sélectionnée ou l'état du robot nettoyeur.



Aquacontrol

check filter
chèque filtre
filter überprüfen
controllare il sacchetto filtrante
revise el filtro

cleaning time
temps de nettoyage
reinigungszeit
tempo di pulizia
tiempo de limpieza

2.0H

1.5H

SPS 100

Aquacontrol

- Cleaning program
Mode nettoyage
Programa de limpieza
Reinigungsprogramm
Programma di pulizia
Programa de limpeza
- Internal timer
Minuterie interne
Temporizador interno
Interne Zeitschaltuhr
Timer interno
Temporizador interno
- Check filter
Vérifiez le filtre
Revise el filtro
Filter überprüfen
Controllare il sacchetto filtrante
Verifique o Filtro
- External timer
Minuterie externe
Temporizador externo
Externe Zeitschaltuhr
Timer esterno
Temporizador externo

PROGRAM 03	96h	
PROGRAM 02	72h	
PROGRAM 01	48h	

SPS 200

NETTOYEUR DE PISCINE TYPE CYCLONE

Aquacontrol

- Swivel
Pivot
Swivel
Drehlager
Manopola di disattorcigliamento
Swivel
- Cleaning program
Mode nettoyage
Programa de limpieza
Reinigungsprogramm
Programma di pulizia
Programa de limpeza
- Internal timer
Minuterie interne
Temporizador interno
Interne Zeitschaltuhr
Timer interno
Temporizador interno

Check filter
Vérifiez le filtre
Revise el filtro
Filter überprüfen
Controllare il sacchetto filtrante
Verifique o Filtro

External timer
Minuterie externe
Temporizador externo
Externe Zeitschaltuhr
Timer esterno
Temporizador externo

HIGH

PROGRAM 02

96h

72h

48h

SPS 300

Aquacontrol

- Auto detect
Auto detección
Automatische erkennung
Auto diagnosi
Detección automática
- Swivel
Pivot
Swivel
Drehlager
Manopola di disattorcigliamento
Swivel
- Internal timer
Minuterie interne
Temporizador interno
Interne Zeitschaltuhr
Timer interno
Temporizador interno
- External timer
Minuterie externe
Temporizador externo
Externe Zeitschaltuhr
Timer esterno
Temporizador externo

Pool shape
Forme de piscine
Forme de la piscine
Beckenform
Forma piscina
Forma da piscina

Cleaning program
Mode nettoyage
Programa de limpieza
Reinigungsprogramm
Programma di pulizia
Programa de limpeza

HIGH

NORMAL

PROGRAM 03

PROGRAM 02

PROGRAM 01

96h

72h

48h

SPS 400

Aquacontrol

- Auto detect
Auto detección
Automatische erkennung
Auto diagnosi
Detección automática
- Swivel
Pivot
Swivel
Drehlager
Manopola di disattorcigliamento
Swivel
- Cleaning Level
Niveau de Nettoyage
Nível de Limpeza
Reinigungsstufe
Livello di Pulizia
Nível de Limpeza
- Delay
Retard
Retrasar
Verzögerung
Ritardo
Atrasar

Pool shape
Forme de piscine
Forme de la piscine
Beckenform
Forma piscina
Forma da piscina

Cleaning program
Mode nettoyage
Programa de limpieza
Reinigungsprogramm
Programma di pulizia
Programa de limpeza

HIGH

NORMAL

PROGRAM 03

PROGRAM 02

PROGRAM 01

96h

72h

48h

SPS 500

NETTOYEUR DE PISCINE TYPE CYCLONE

8.1. BOUTONS SUPERPOSÉS

MODÈLE

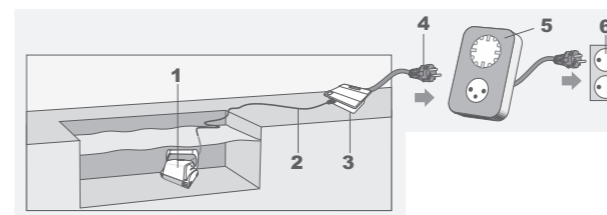
100/200 300/400 500		Vérification du filtre Lorsque le voyant s'allume, il indique que le sac-filtre doit être enlevé, nettoyé et réinstallé correctement dans le robot pour un fonctionnement efficace du système. Dans les modèles 300, 400, 500 – le robot-nettoyeur s'arrêtera de grimper aux murs une fois le voyant du filtre allumé
100		Cleaning time - time duration spent cleaning the pool. Press the button to select the desired time. A red light will indicate your selection. This feature can only be selected when the Power supply is in standby mode
200 300/400		Minuterie interne – option de fonctionnement automatique: Toutes les 48 heures Toutes les 72 heures Toutes les 96 heures
200/300		Sélection du programme de nettoyage: Programme 01 –nettoyage des parois et du sol pendant 1.0 heures Programme 02 – nettoyage des parois et du sol pendant 1.5 heures. Programme 03 – nettoyage des parois et du sol pendant 2 heures.
400		Sélection du programme de nettoyage: Programme 01 – cycle de nettoyage - *1.5 heure sol seulement Programme 02 – nettoyage des parois et du sol pendant 2.0 heures. Programme 03 – nettoyage des parois et du sol pendant 2.5 heures.
500		Sélection du programme de nettoyage: Programme 01 – cycle de nettoyage 2 heure sol seulement Programme 02 - 4 heures de nettoyage du fond et des parois (sur certains modèles, la fonction de nettoyage des parois n'est pas disponible). Programme 03 - 5 heures de nettoyage du fond et des parois (sur certains modèles, la fonction de nettoyage des parois n'est pas disponible).
200 300/400		Minuterie externe - Cette fonction offre à l'utilisateur final la possibilité de programmer l'horaire de nettoyage via un minuteur externe (vendu séparément). Presser ce bouton active et désactive cette fonction.
300/400 500		Tourillon —permet d'ajuster la vitesse de rotation du robot dans la piscine. Normal – fonctionnement standard Élevé – vitesse de rotation différente
400/500		Détection automatique: cette fonctionnalité empêche le robot d'être coincé par des obstacles dans la piscine, notamment les collecteurs principaux, les escaliers, les échelles, etc. Appuyez sur ce bouton pour sélectionner l'une des options suivantes:  Détection automatique –DÉSACTIVÉ. Cette option doit être sélectionnée si votre robot change de direction au milieu de la piscine sans qu'il soit en contact avec un obstacle quelconque.  Détection automatique –ACTIVÉ. Le robot doit changer de direction lorsqu'il entre en contact avec certains obstacles. Sélectionnez cette option lorsque la piscine est jonchée d'obstacles comme des systèmes de nettoyage du sol, les collecteurs d'immeubles et des échelles.
400/500		Forme de la piscine: Permet au robot de calculer le modèle de nettoyage le plus efficace, pour la forme de piscine sélectionnée. Appuyez sur le bouton pour sélectionner le dessin le plus adapté à la forme de la piscine. Un voyant rouge va indiquer votre sélection.
500		Niveau de nettoyage – Modifier les performances de nettoyage  Rapide : à sélectionner si votre piscine a peu de saletés.  Normal : à sélectionner pour l'entretien journalier.  Minutieux : à sélectionner si votre piscine a beaucoup de saletés.
500		Temporisation Lorsque cette option est activée, le robot commence à travailler après 2 heures de temporisation. Cette fonction est utilisée pour laisser les débris et la poussière se déposer sur le fond avant le démarrage du nettoyage par le robot.

NETTOYEUR DE PISCINE TYPE CYCLONE

8.2. UTILISER UNE MINUTERIE EXTERNE

(optionnel, vendu séparément)

Une minuterie externe peut être utilisée pour activer automatiquement le nettoyeur à un moment prédéfini. La minuterie externe doit être connectée entre la prise murale, l'alimentation et l'unité de contrôle.



1. Unité
2. Câble
3. Alimentation
4. Transformateur
5. Minuterie externe
6. Prise

9. DÉPANNAGE

LE MODULE DE NETTOYAGE NE SE MET PAS EN MARCHÉ

La prise secteur est hors tension.

1. Débranchez le module de nettoyage de celui de commande et d'alimentation.
2. Débranchez la source d'alimentation de la prise murale, attendez 30 secondes, puis rebranchez.
3. Mettez l'appareil en marche. S'il ne s'active pas, branchez-le à une différente prise secteur.

Le câble flottant n'est pas correctement branché au module de commande et d'alimentation.

Rebranchez le câble flottant au module de commande et d'alimentation.

Il y a un obstacle dans le système de transmission du module de nettoyage.

1. Tournez soigneusement l'appareil pour voir l'intérieur.
2. Faites pivoter les rails et les brosses à récurage à la main. Ils ne tournent pas alors qu'ils doivent le faire sans heurt.
3. Nettoyez et enlevez les obstacles et les débris si nécessaire.

L'hélice est grippée en raison d'un amas de cheveux.

Vérifiez si l'hélice est brisée ou doit être nettoyée (voir la section « Vérification de la sortie d'eau de l'hélice »)

LE MODULE DE NETTOYAGE SE DÉPLACE SANS TOUTEFOIS POMPER DE L'EAU.

Les filtres sont sales.

1. Démontez les filtres
2. Faites fonctionner le robot nettoyeur dans la piscine sans ses filtres. En cas de fonctionnement normal, bien nettoyez les filtres ou remplacez-les.

L'hélice est brisée en raison d'un amas de cheveux.

Vérifiez si l'hélice est brisée ou doit être nettoyée (voir la section « Vérification de la sortie d'eau de l'hélice »).

LE MODULE DE NETTOYAGE POMPE DE L'EAU SANS TOUTEFOIS SE DÉPLACER.

Il y a un obstacle dans le système de transmission du module de nettoyage.

1. Tournez soigneusement l'appareil pour voir l'intérieur.
2. Faites pivoter les rails et les brosses à récurage à la main. Ils ne tournent pas alors qu'ils doivent le faire sans heurt.
3. Nettoyez et enlevez les obstacles et les débris si nécessaire.

LE MODULE DE NETTOYAGE DÉMARRE PUIS S'ARRÊTE APRÈS UN BREF MOMENT.

Les filtres sont sales.

1. Démontez les filtres.
2. Faites fonctionner le robot nettoyeur sans ses filtres. En cas de fonctionnement normal, bien nettoyez les filtres ou remplacez-les.

L'hélice est brisée en raison d'un amas de cheveux.

1. Enlevez les vis supérieures du couvercle supérieur.
2. Vérifiez si l'hélice est brisée ou a besoin d'être nettoyée.

Il y a un obstacle dans le système de transmission du module de nettoyage.

1. Tournez soigneusement l'appareil pour voir l'intérieur.
2. Faites pivoter les rails et les brosses à récurage à la main. Ils ne tournent pas alors qu'ils doivent le faire sans heurt.
3. Nettoyez et enlevez les obstacles et les débris si nécessaire.

LE MODULE DE NETTOYAGE NE COLLECTE PAS LA SALETÉ.

Les filtres sont sales ou sont troués. Nettoyez comme voulu puis vérifiez que le filtre n'est pas troué.

L'hélice est brisée en raison d'un amas de cheveux.

Vérifiez si l'hélice est brisée ou doit être nettoyée (voir la section « Vérification de la sortie d'eau de l'hélice »).

L'admission de l'aspiration n'est pas assez proche du fond de la piscine. Déplacez l'admission de l'aspiration sur OUT (voir la rubrique « Réglage de la hauteur d'aspiration » à la page 9).

LA SALETÉ SORT DU MODULE DE NETTOYAGE UNE FOIS COLLECTÉE DE LA PISCINE.

La fermeture du filtre est cassée ou absente.

Ouvrez les filtres et vérifiez que l'obturateur de filtre n'est pas brisé et fonctionne correctement (voir la rubrique « Filtres de nettoyage »)

Les filtres sont perforés. Ouvrez les filtres et vérifiez que les écrans de filtre ne sont pas troués (voir la rubrique « Filtres de nettoyage »)

Le couvercle inférieur n'est pas correctement fermé. Assurez-vous que le couvercle inférieur est correctement fermé.

NETTOYEUR DE PISCINE TYPE CYCLONE

LE MODULE DE NETTOYAGE NE PARCOURT PAS TOUTE LA PISCINE.

Les filtres sont sales. Nettoyez les filtres.

Il n'y a pas suffisamment de longueur de câble flottant dans l'eau pour atteindre le fond de la piscine, ou le câble est emmêlé..

1. Vérifiez qu'il y a suffisamment de longueur de câble flottant dans l'eau pour atteindre le fond de la piscine.
2. Assurez-vous que le câble flottant est bien étalé et n'est pas emmêlé.

L'angle de la poignée flottante affecte le mouvement du module de nettoyage.

Augmentez l'angle diagonal de la poignée flottante (voir la rubrique « Réglage Poignée flottant »).

Le niveau de pH de la piscine est incorrect.

Assurez-vous que le niveau de pH est compris entre 7,2 et 7,6.

Le niveau de chlore est incorrect.

Vérifiez le traitement au chlore de l'eau et corrigez si nécessaire (enlevez le filtre de la piscine pendant le traitement.)

L'hélice est brisée en raison d'un amas de cheveux.

1. Enlevez les vis supérieures du couvercle supérieur.
2. Vérifiez si l'hélice est brisée ou a besoin d'être nettoyée.

Il y a un obstacle dans le système de transmission du module de nettoyage.

1. Tournez soigneusement l'appareil pour voir l'intérieur.
2. Faites pivoter les rails et les brosses à récurage à la main. Ils ne tournent pas alors qu'ils doivent le faire sans heurt.
3. Nettoyez et enlevez les obstacles et les débris si nécessaire.

LE MODULE DE NETTOYAGE NE GRAVIT PAS LES PAROIS.

Le module de nettoyage ne gravit pas les parois de la piscine.

1. Vérifiez que votre robot nettoyeur n'est pas un modèle de fond uniquement.
2. Vérifiez que P1, nettoyage du fond uniquement, n'est pas sélectionné sur le module de commande et d'alimentation (voir la rubrique « Programmation du robot nettoyeur »).

Les filtres sont sales. Nettoyez les filtres.

L'hélice est brisée en raison d'un amas de cheveux.

Vérifiez si l'hélice est brisée ou doit être nettoyée (voir la section « Vérification de la sortie d'eau de l'hélice »).

Le niveau de pH est incorrect.

Assurez-vous que le niveau de pH est compris entre 7,2 et 7,6.

Le niveau de chlore est incorrect.

Vérifiez le traitement au chlore de l'eau (enlevez le module de nettoyage de la piscine pendant le traitement.)

La température de l'eau n'est pas optimale.

La température recommandée est comprise entre 22 et 32°C (72 et 90°F).

LE CÂBLE EST EMMÊLÉ.

Les filtres sont sales. Nettoyez les filtres.

Le couvercle inférieur n'est pas correctement fermé.

Assurez-vous que le couvercle inférieur est correctement fermé.

Le câble n'est pas étalé avant de plonger le module de nettoyage dans la piscine.

Assurez-vous que le câble flottant est bien étalé et n'est pas emmêlé avant de mettre le robot nettoyeur en marche.

La longueur du câble dans l'eau excède celle recommandée.

Vérifiez que la longueur du câble dans l'eau est égale à la longueur de la diagonale de la piscine et avec un surplus de deux mètres.

L'hélice est brisée en raison d'un amas de cheveux.

Vérifiez si l'hélice est brisée ou doit être nettoyée (voir la section « Vérification de la sortie d'eau de l'hélice »).

LA TÉLÉCOMMANDE NE FONCTIONNE PAS.

La batterie est vide. Le voyant lumineux clignote ou n'est pas en marche.

Vérifiez la batterie en appuyant sur l'un des boutons. La lumière rouge de la télécommande ne clignote pas ou reste allumée en permanence lorsque la batterie est vide. Contactez votre revendeur ou votre centre de service.

NETTOYEUR DE PISCINE TYPE CYCLONE

10. TÉLÉCOMMANDE

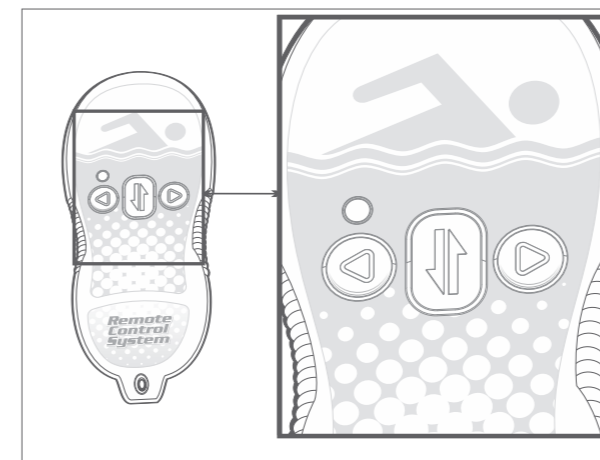
Ce chapitre porte sur le fonctionnement du module de commande à distance en option. La télécommande est incluse dans certains modèles.

10.1. PRÉSENTATION DE LA TÉLÉCOMMANDE

La télécommande est une option qui permet de contrôler le robot nettoyeur via des boutons de commande à distance. Lorsque vous appuyez sur les touches de la télécommande, le signal radio est transmis au module de commande et d'alimentation. Ce signal est transféré sous la forme d'une commande transmise au robot nettoyeur via le câble flottant.

10.2. UTILISATION DE LA TÉLÉCOMMANDE

1. Appuyez sur le bouton droit (3) pour orienter le robot nettoyeur vers la droite. Le robot nettoyeur continue à pivoter vers la droite jusqu'à ce que le bouton soit relâché.
2. Appuyez sur le bouton gauche (1) pour orienter le robot nettoyeur vers la gauche. Le robot nettoyeur continue à pivoter vers la gauche jusqu'à ce que le bouton soit relâché.
3. Appuyez sur le bouton « Avant/Arrière » (2) pour arrêter le robot nettoyeur et changer la direction du mouvement. Le voyant lumineux de la télécommande s'allume après chaque commande. Si la LED ne répond pas ou clignote, veuillez remplacer la batterie.



11. CADDY (EN OPTION)

11.1. OVERVIEW

Le caddy est un accessoire en option qui facilite le déplacement du robot nettoyeur, du câble flottant et du module de commande et d'alimentation d'un endroit à un autre.

11.2. MONTAGE DU CADDY

Pour monter le caddy, vous avez besoin d'un tournevis standard et d'une clé de 8 mm.

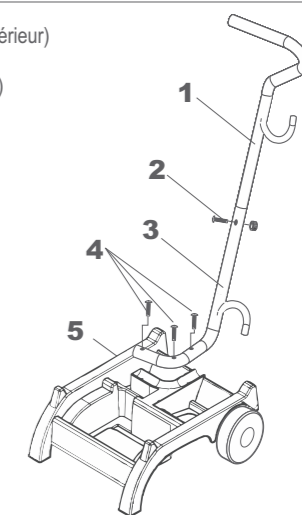
Connecting the Caddy Handle

1. Fixez la partie inférieure de la poignée (3) sur le châssis de caddy (5) avec les trois vis (4) et les écrous.
2. Joignez la partie supérieure de la poignée (1) à sa partie inférieure (3) avec la vis (2) et l'écrou.

11.3. CHARGEMENT DU ROBOT NETTOYEUR SUR LE CADDY

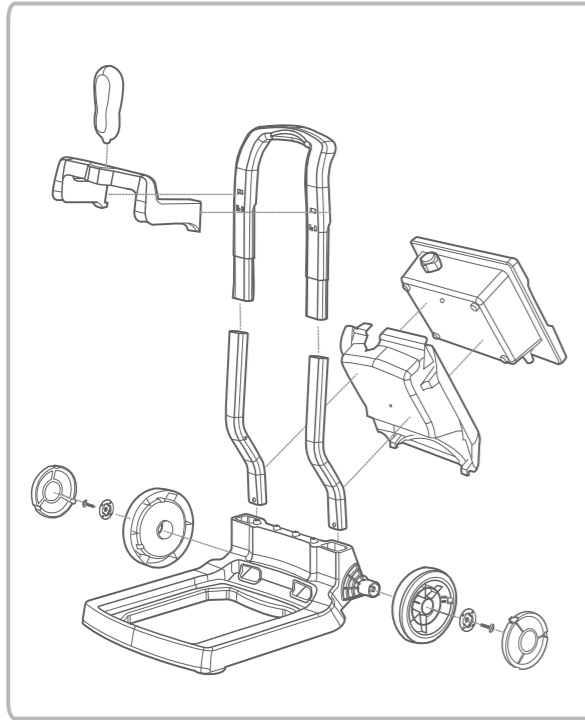
1. Placez le module de nettoyage sur la base du caddy.
2. Enroulez le câble flottant et placez-le sur le module de nettoyage.
3. Placez le module de commande et d'alimentation au-dessus du rouleau de câble flottant..

1. Manche du Caddy (supérieur)
2. Vis de la manche
3. Manche du Caddy (bas)
4. Vis du corps
5. Corps du Caddy



NETTOYEUR DE PISCINE TYPE CYCLONE

12. CHARIOT "TROLLEY" (EN OPTION)

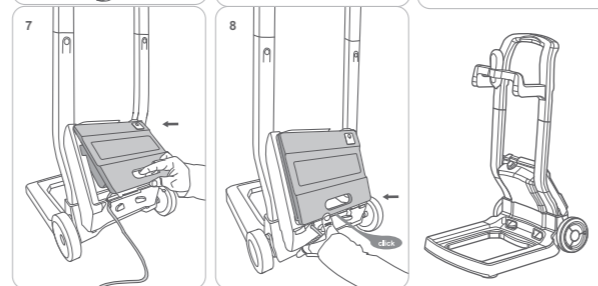
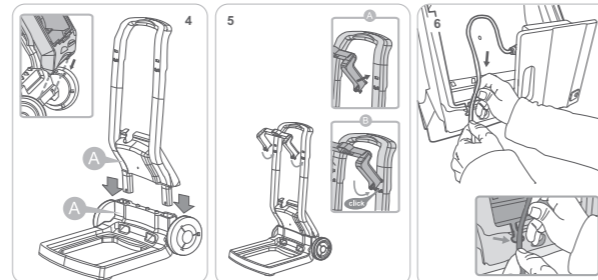
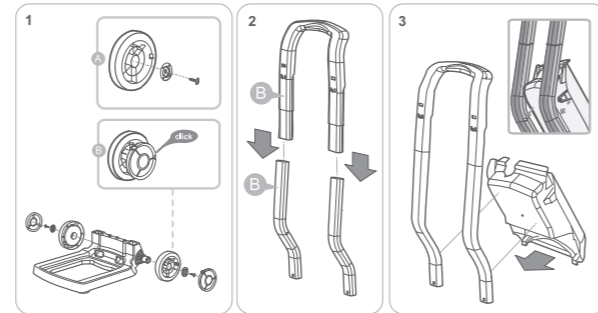
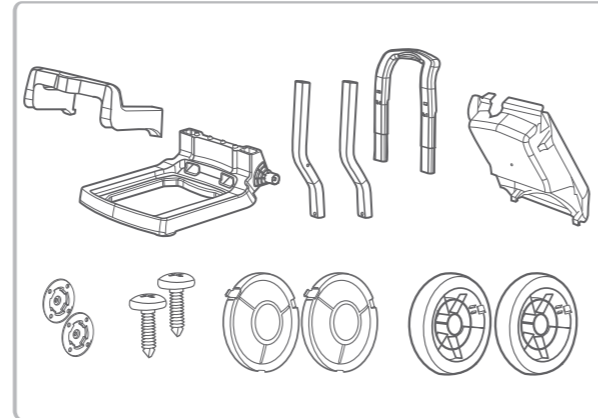


12.1. OVERVIEW

Le chariot est un accessoire en option qui facilite le déplacer du robot nettoyeur et qui offre un espace de montage du le module de commande et d'alimentation.

12.1. MONTAGE DU CHARIOT

1. Fixez les roues des deux côtés de la base du chariot.
2. Fixez chaque roue avec la vis et installez le couvercle.
3. Montez les deux parties de la poignée.
4. Insérez la poignée dans la base de chariot. Faites cliquer les pattes inférieures du boîtier du module de commande et d'alimentation dans la base de chariot.
5. Fixez le support de la télécommande en insérant la partie supérieure dans la poignée du chariot et en la faisant tourner vers le bas jusqu'à ce qu'un clic se fasse entendre dans la partie inférieure.
6. Placez le câble du module de commande et d'alimentation dans la rainure de la base de chariot.
7. Fixez le boîtier du module de commande et d'alimentation en faisant cliquer les pattes supérieures dans les trous de la poignée.
8. Placez la partie supérieure du module de commande et d'alimentation dans le boîtier et poussez la partie inférieure vers le bas jusqu'à ce qu'un clic se fasse entendre dans la base de chariot.



REMARQUES



Powered by

bosta bevo
bringing water to life


NORSUP
BRINGING WATER TO THE NEXT LEVEL